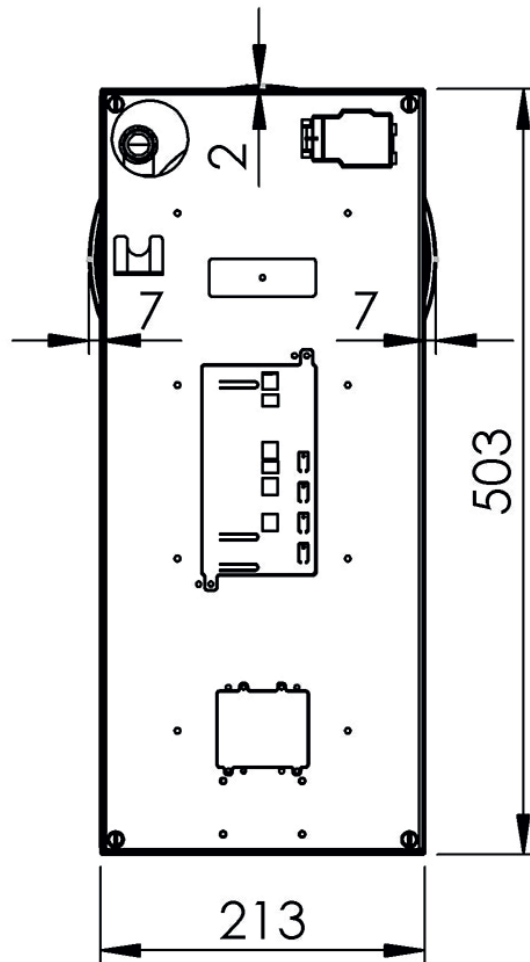
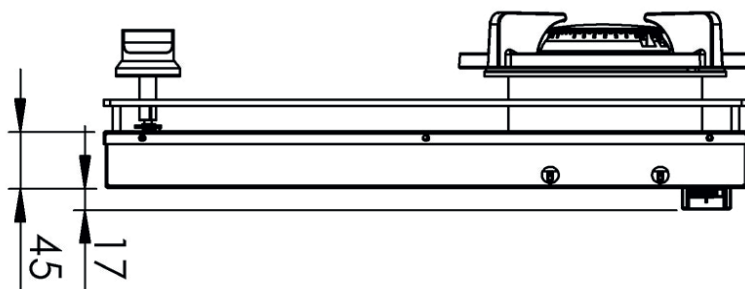


Bovenaanzicht / View from top

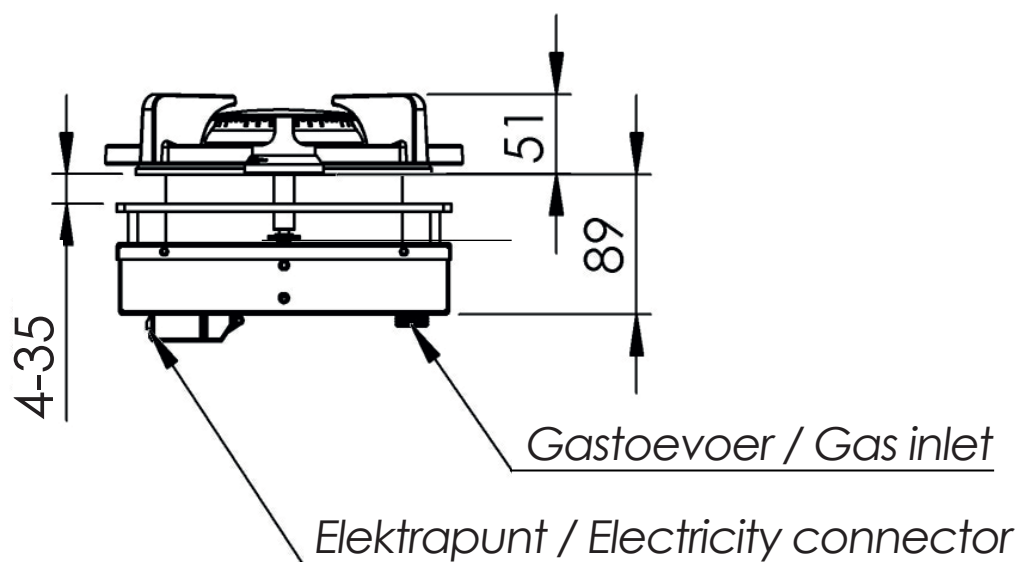


Achteraanzicht / View from back

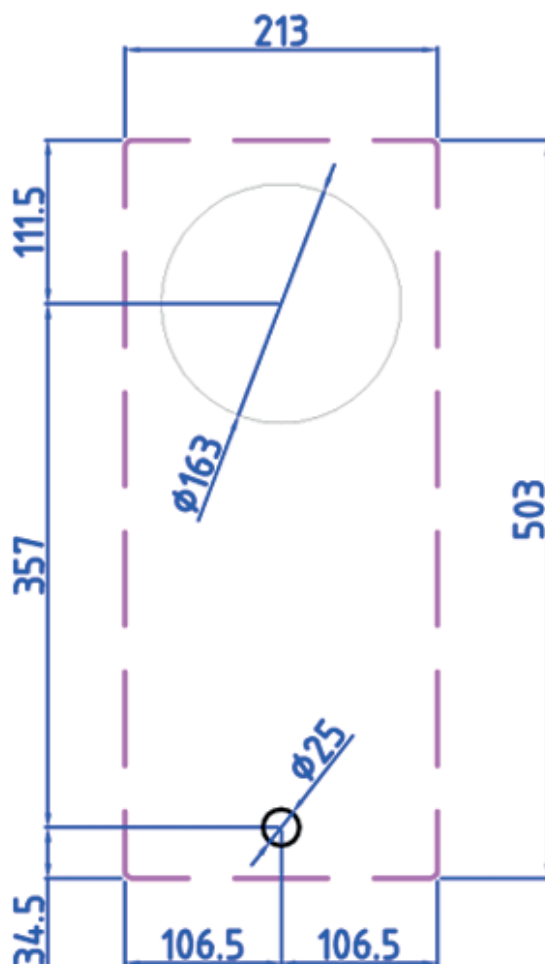


Zij-aanzicht / View from side

---



Vooraanzicht / View from front



## Gatenpatroon / Hole pattern

Gatenpatroon in DXF te downloaden via [pittcooking.com](http://pittcooking.com)  
Hole pattern in DXF can be downloaded via [pittcooking.com](http://pittcooking.com)