

Made in Holland

PITT
COOKING

Installation and handling instructions

PITT® cooking in kitchen worktops

These documents contain instructions to securely and successfully install PITT® cooking into kitchen worktops. Furthermore, they indicate which level of craftsmanship is required. To make a warranty claim, installation procedures should be applied as described. PITT® cooking is exclusively intended for consumer use. Version 2021.

Content

1. Worktop Materials suitable for PITT® cooking	3
2. Manufacturing recesses (cut-outs)	4
3. Installation kitchen worktop	6
4. Installation PITT® cooking in the kitchen worktop	7

1. *Worktop material suitable for PITT® cooking*

1a. PITT® cooking can safely be built into:

- Compact board (eg. Trespa)
- Quartz Composite (eg. Caesarstone, Silestone)
- Concrete
- Glass
- Terrazzo
- Natural stone (eg. granite, marble)
- Stainless steel
- Ceramics



PITT® cooking should never be installed into solid wood and worktops with an HPL top layer.

1b. The minimum thickness of the core material is 4 mm.

For Quartz composite, compact board and natural stone applies a minimum thickness of the core material (solid) of 10 mm.

For Top Side for all materials, a maximum thickness of 35 mm applies.

For Front Side for all materials, a maximum thickness of 25 mm applies.

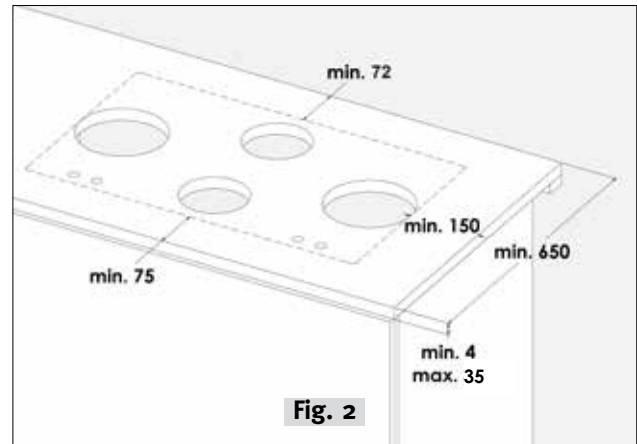
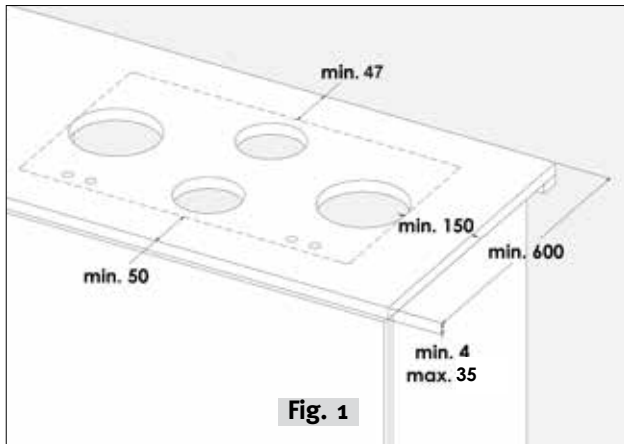


The bottom of the core material needs to be completely flat, in order to bring the heat conductor in full contact with the worktop.

2. Manufacturing recesses (cut-outs)

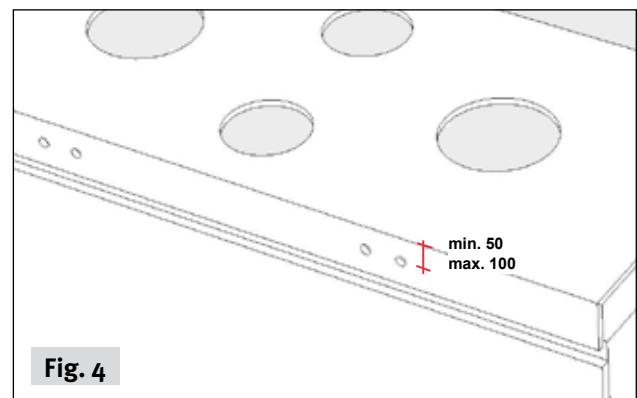
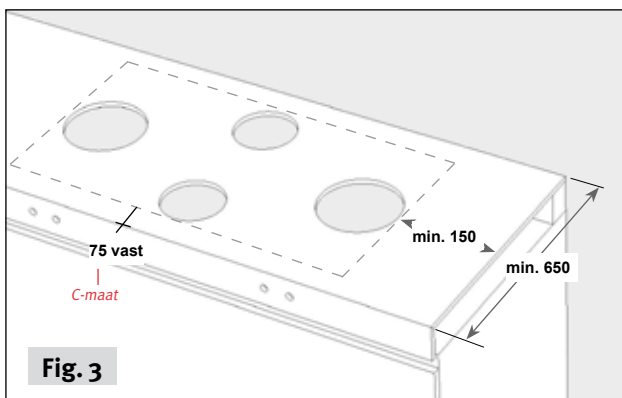


The guidelines of the kitchen manufacturer and/or the manufacturer of the kitchen worktop should always be strictly followed.



- 2a. The C-size for Top Side models should be at least 50 mm (fig.1).

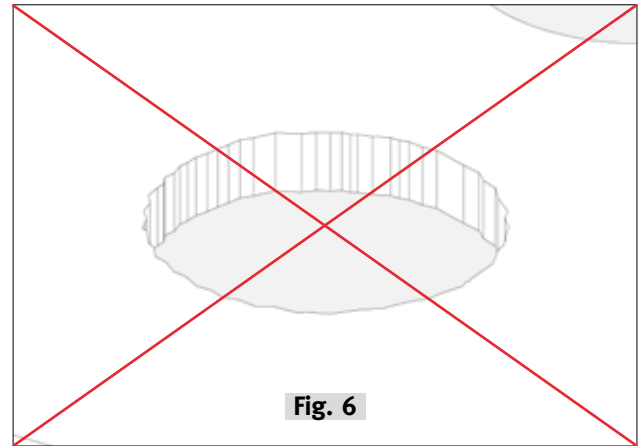
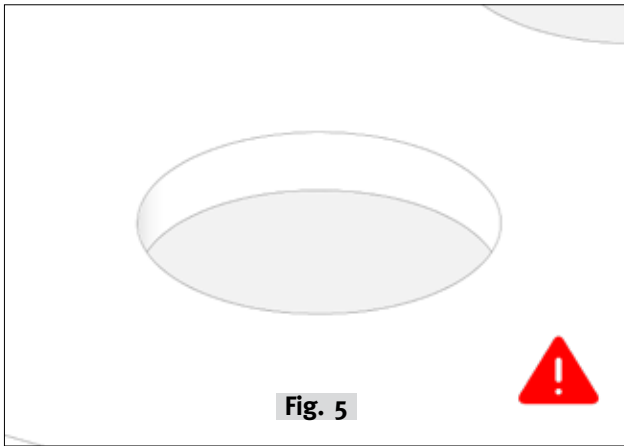
The distance between the cut out (Top Side and Front Side) and the sides (left or right) of the worktop should be at least 150 mm.



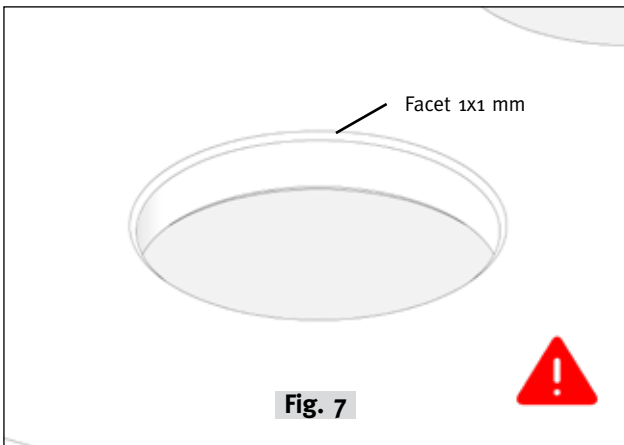
- 2b. The C-size for Front Side models should be **at all times 75 mm (fig.3)**

Front Side can be applied to the front side of the work top as well as the blind of the kitchen cabinet (whether indented or not). The center of the knobs measured from the top of the worktop is at least 50 and at most 100 mm (fig.4).

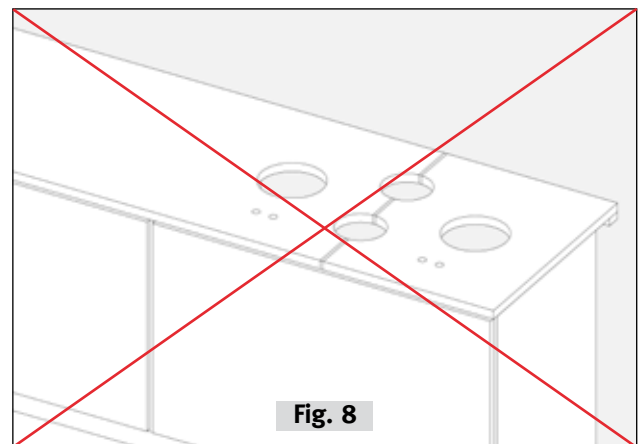
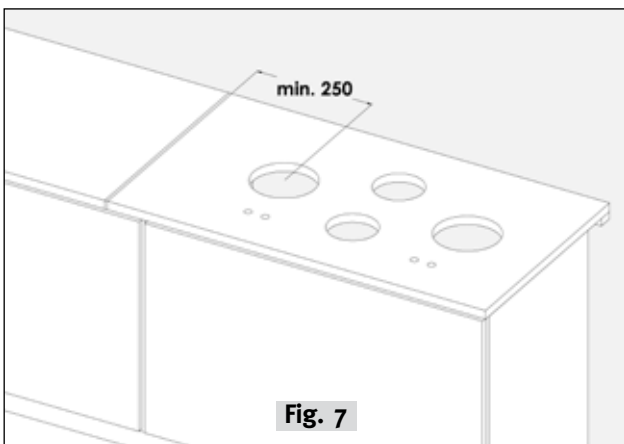
2. Manufacturing recesses (cut-outs)



- 2c. The insides of the recess(es) should be smooth and even (**fig. 5**). Irregularities can cause cracking (**fig. 6**).



- 2d. On the top and bottom of the recess(es) should be a facet of at least 1x1 mm be applied (**fig. 7**).



- 2e. Adhesive connections and/or interconnections should **never** intersect the recess(es). These should have a distance of at least 250 mm to the recess(es) (**fig. 7 and 8**).

3. Installation worktop



The guidelines of the kitchen manufacturer and/or the manufacturer of the kitchen worktop should always be strictly followed.

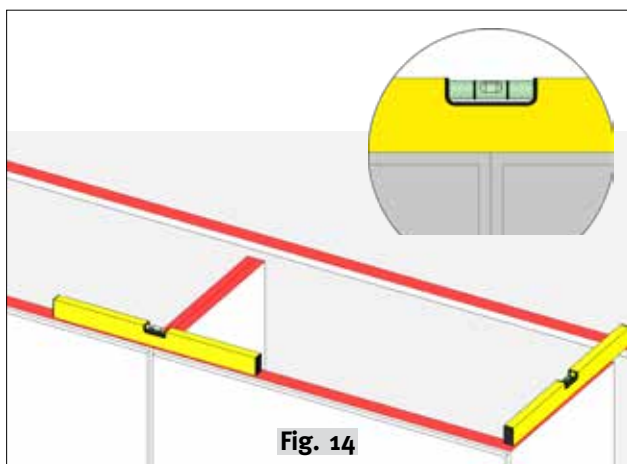


Fig. 14

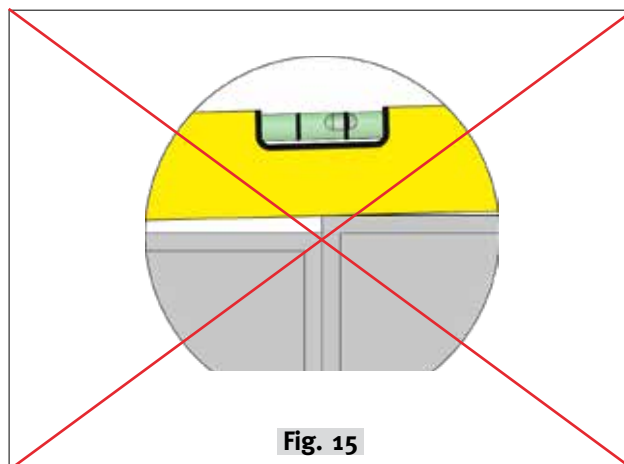


Fig. 15

- 3a. The cabinets should be placed perfectly levelled (**fig. 14 and 15**).
- 3b. In the case of bottom cabinets with a closed top, these should be the same size (+10 mm) as the PITT® cooking module. This is to bring the heat conductor in full contact with the core material.

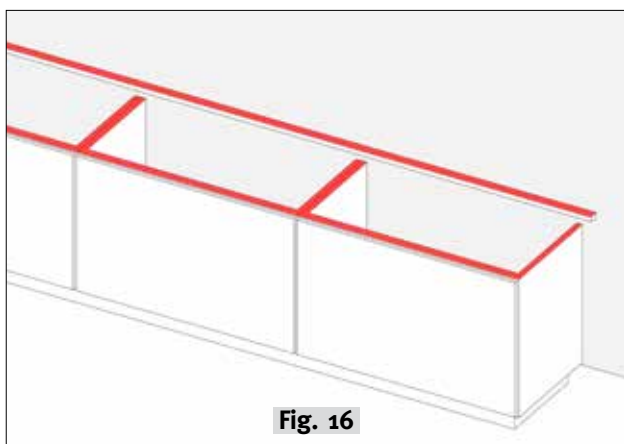


Fig. 16

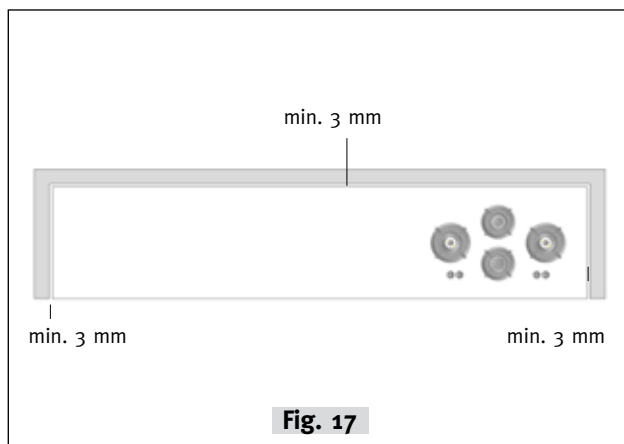


Fig. 17

- 3c. The worktop should have full support on the left, right, front and back side of the PITT cooking unit (**fig. 16**). This prevents tension in the worktop from the weight of the cooking unit. We advise to support the worktop with a ladder frame.
- 3d. The distance between the kitchen worktop and the wall and/or cabinets should be at least 3 mm (**fig. 17**). This allows the material to expand.

4. Installation PITT® cooking into worktop



Strictly follow the PITT® cooking installation instructions. The installation manual can be downloaded via www.pittcooking.com/downloads.

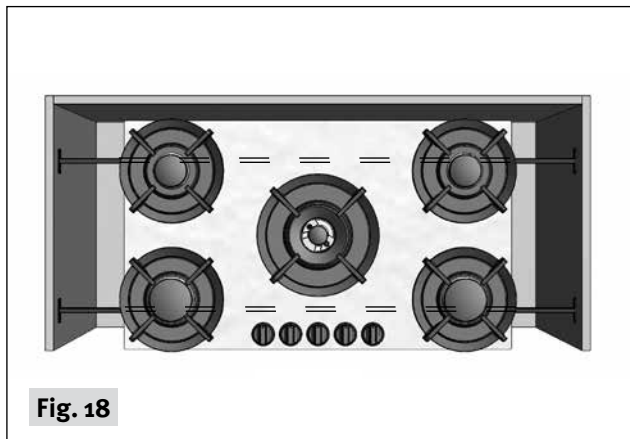


Fig. 18

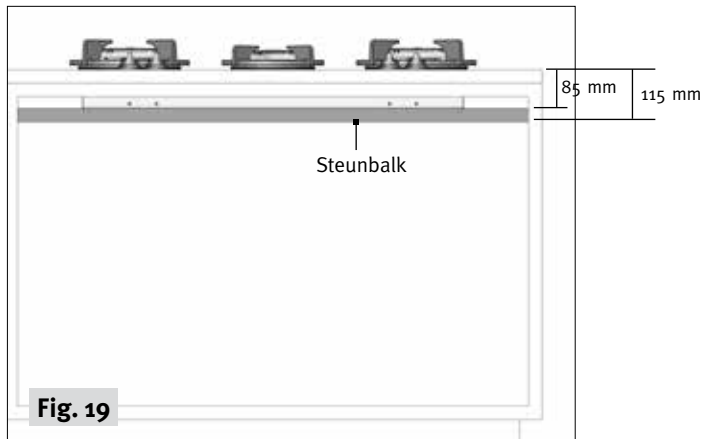


Fig. 19

- 4a. The PITT® cooking module should always be fully supported with the PITT® cooking support set to prevent bending of the kitchen worktop (**fig. 18 and 19**).

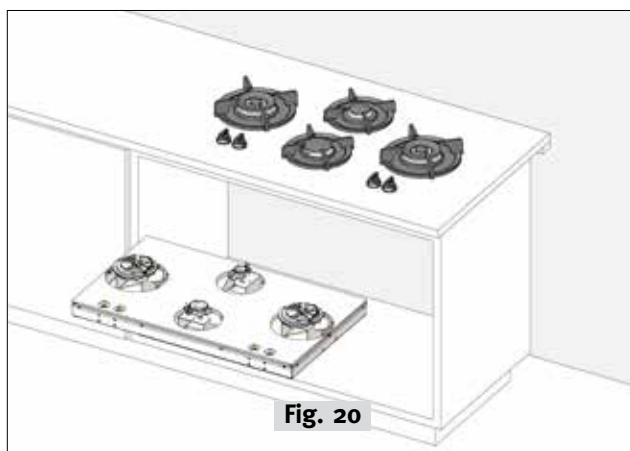


Fig. 20

- 4b. In case of service, the PITT® cooking module should **ALWAYS** be able to be disassembled without disassembling the cabinets and/or kitchen worktop (**fig. 20**).

In case of questions, please feel free to contact us via
info@pittcooking.com or by phone via +31(0)88 088 7070.

www.pittcooking.com