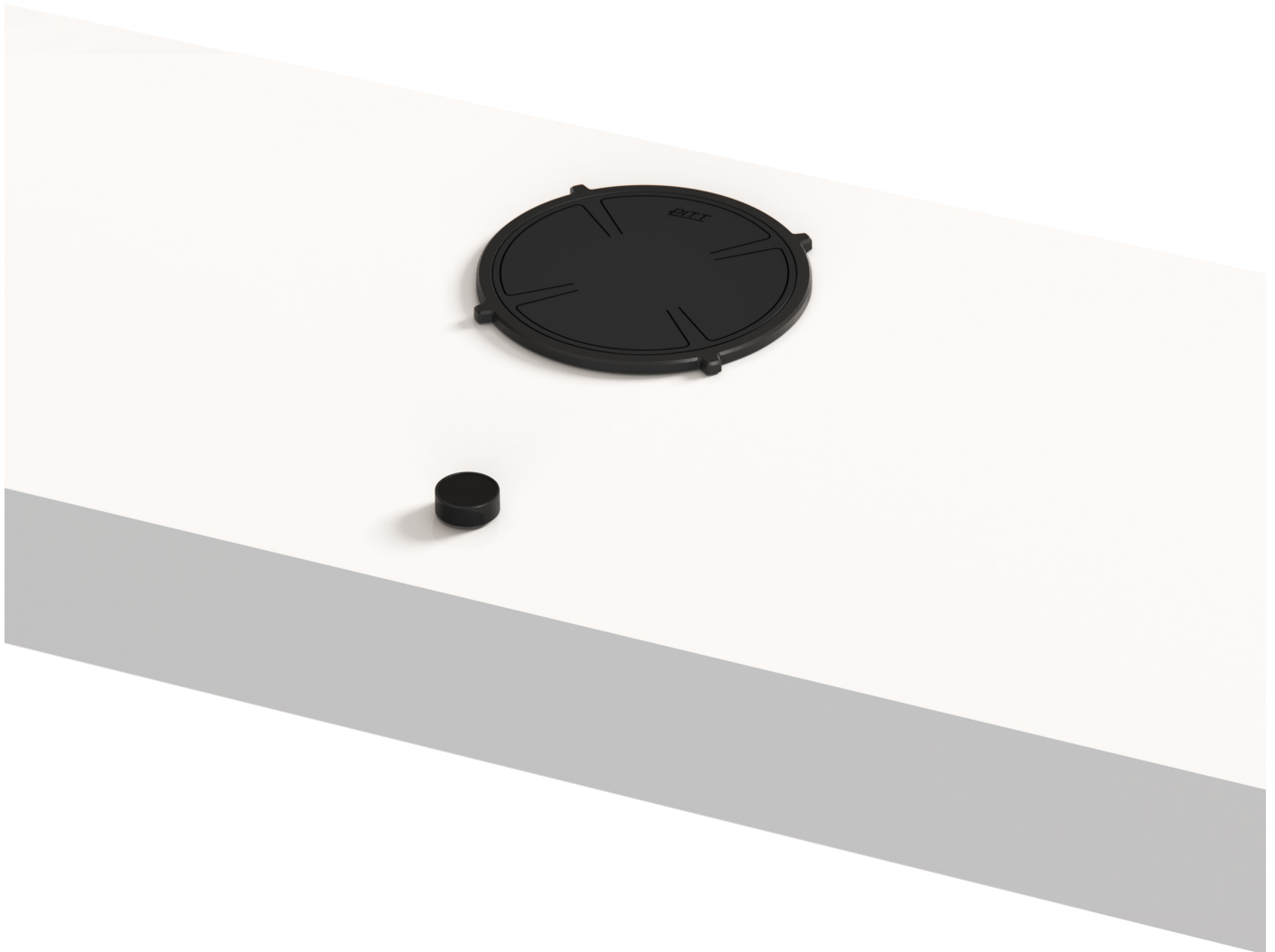


*Made in Holland*

**PITT**  
COOKING



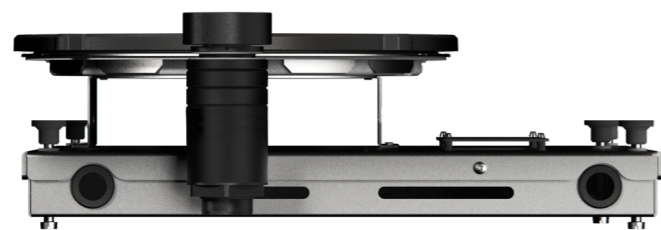
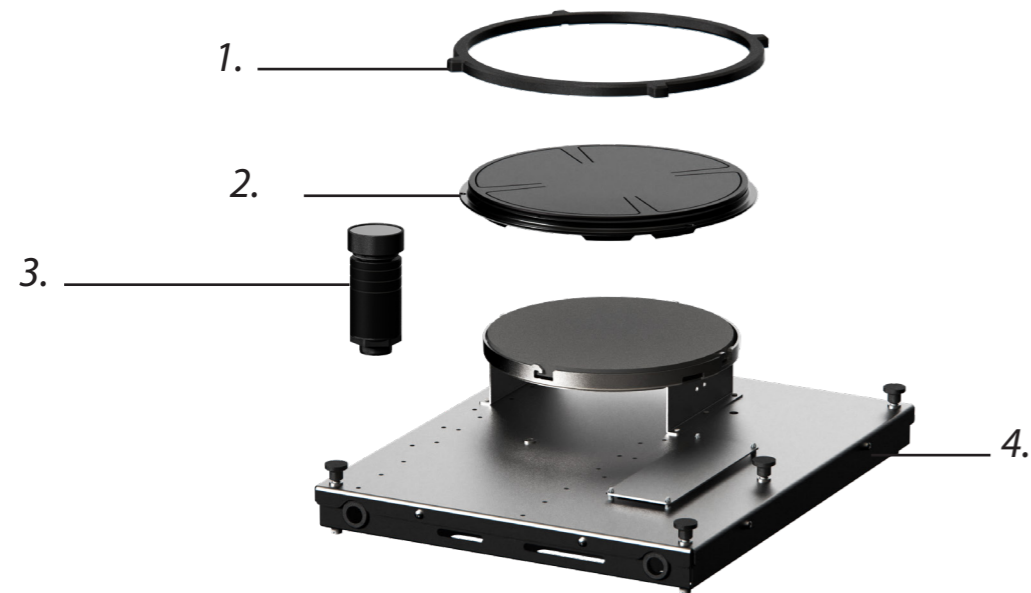
***Induction***

*Air-I*

*Top Side*

**Exploded view**

**Induction zones**



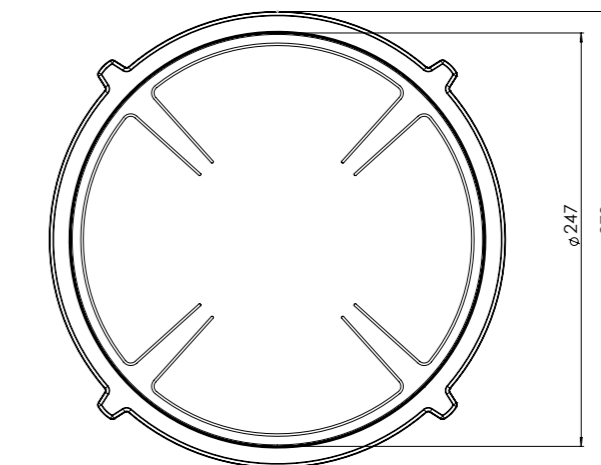
**1. Decorative ring large**  
PVD COATED ALUMINUM

**3. Control knob**  
ALUMINUM/GLASS

**2. Induction zone large**  
PVD COATED ALUMINUM/ CERAMIC GLASS

**4. Cassette**  
ALUMINUM

**Large zone**



**LARGE ZONE**

NOM. POWER  
**2300 Watt**

MAX. POWER  
**3000 Watt**

MIN. DIAM. PAN  
**110 mm**

MAX. DIAM. PAN  
**250 mm**

## Control knob

3D-visualization of Top Side knob

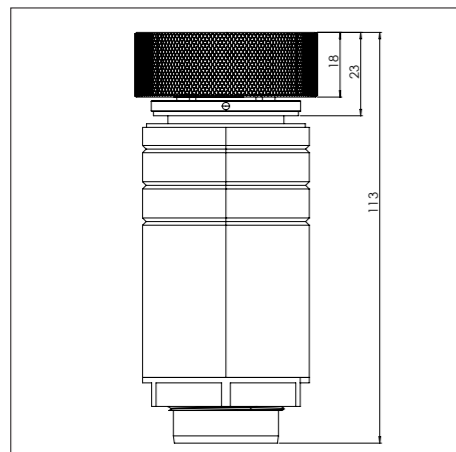


3D-visualization Front Side knob

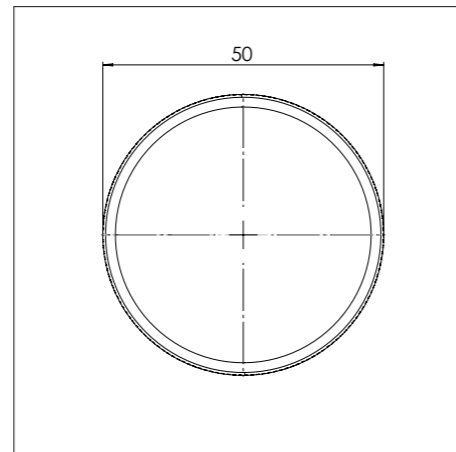


## Dimensions control knob

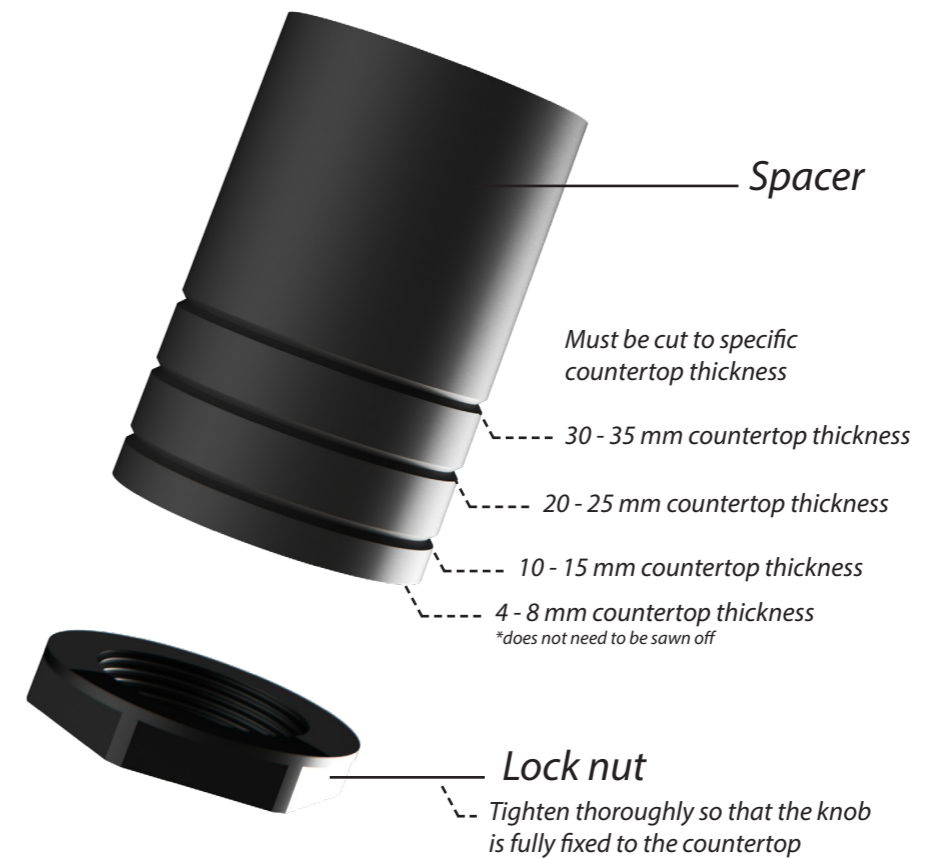
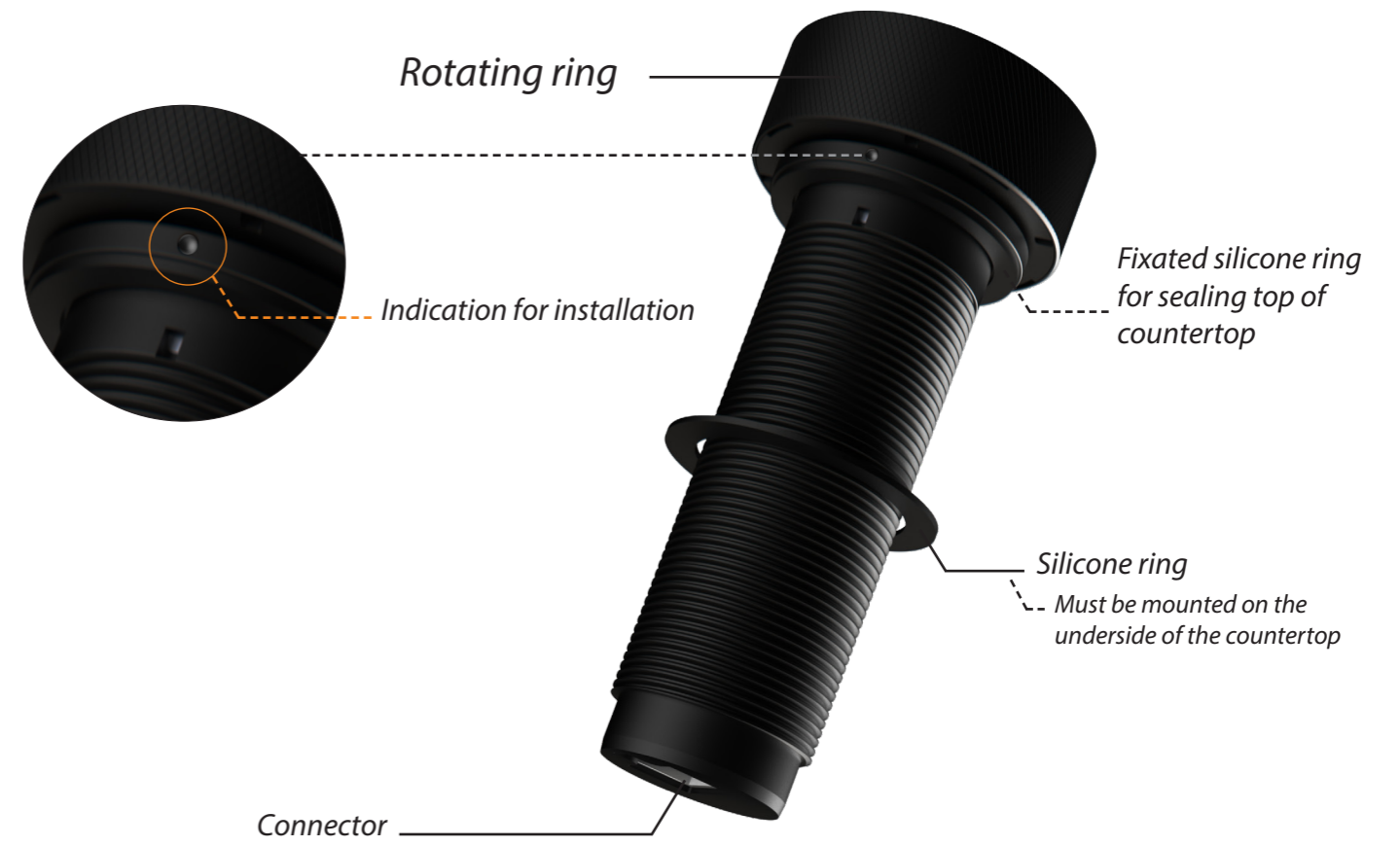
Front view

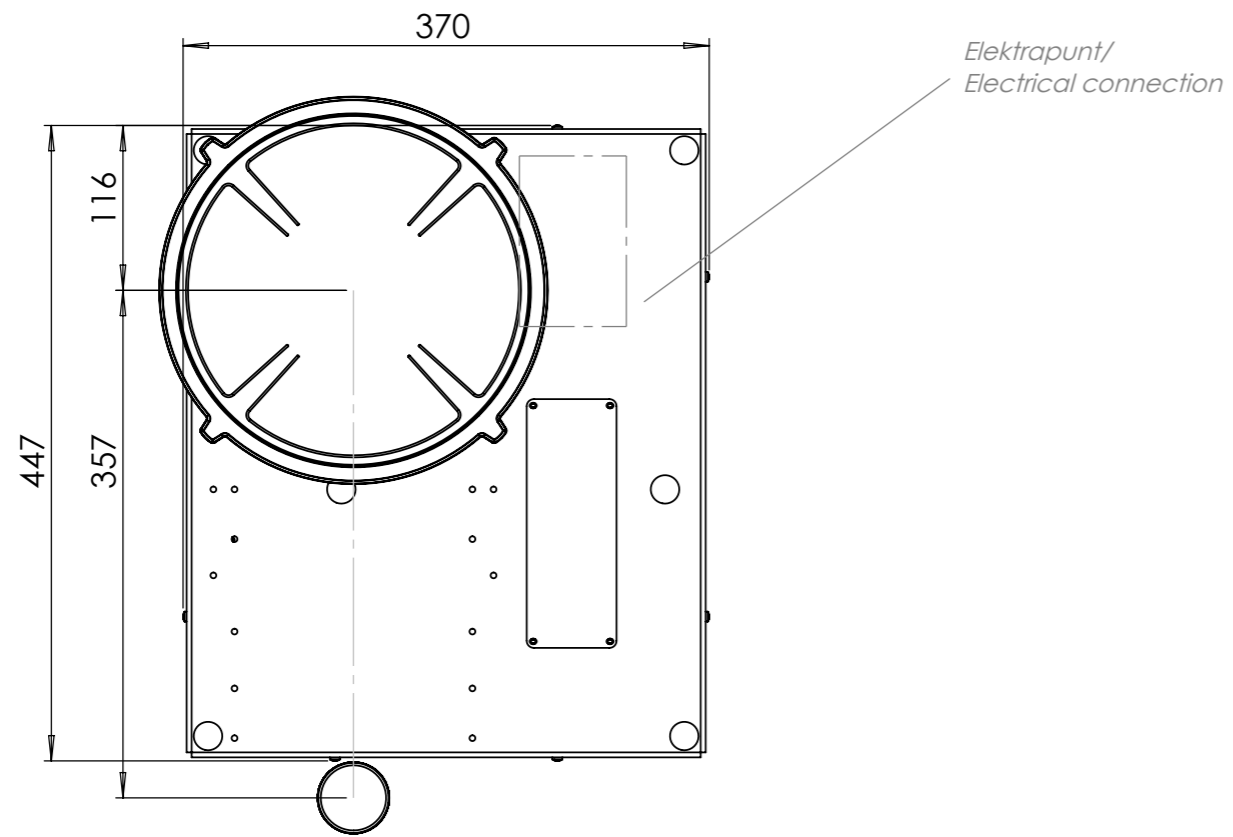


Top view

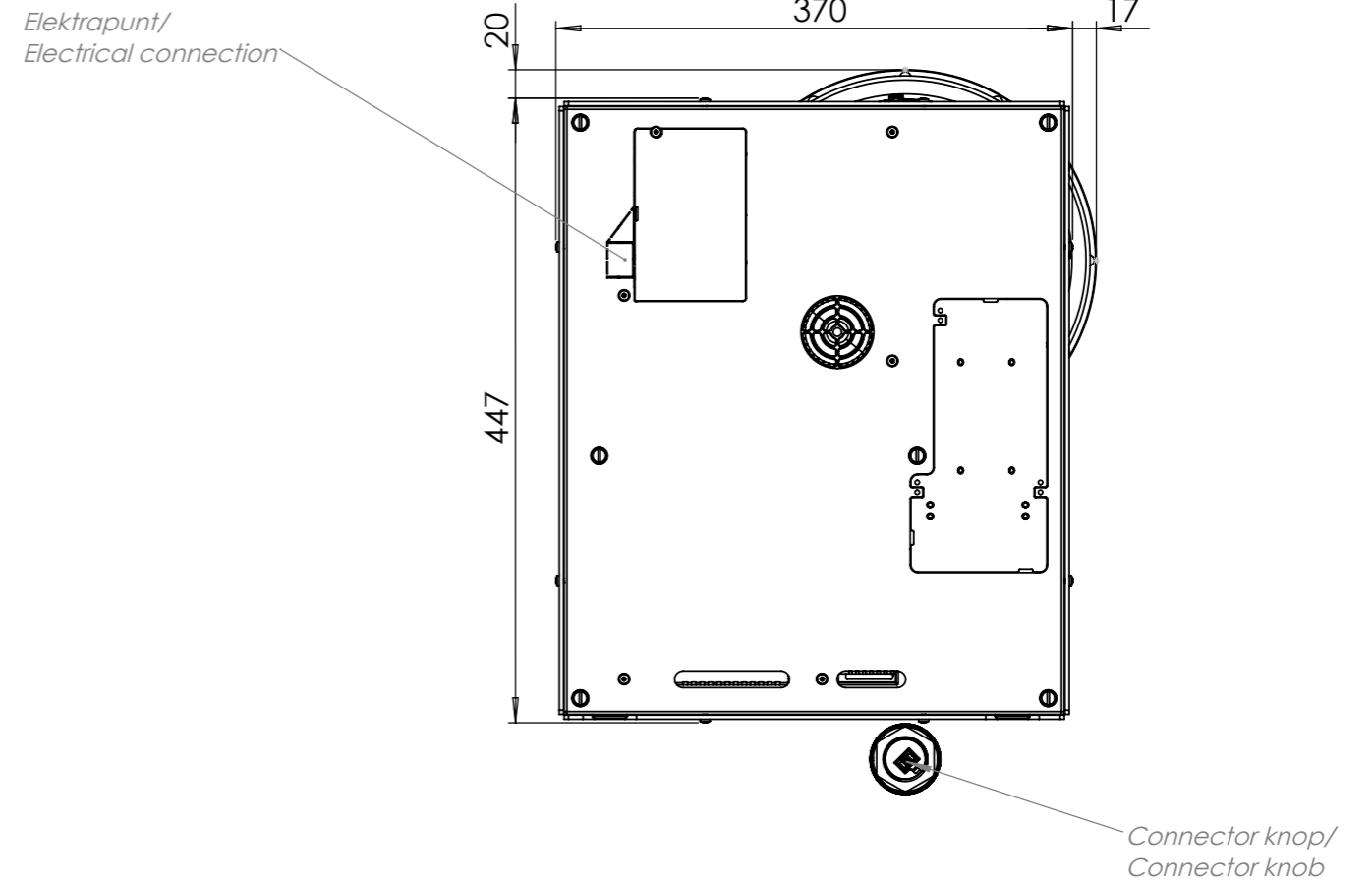


## Control knob

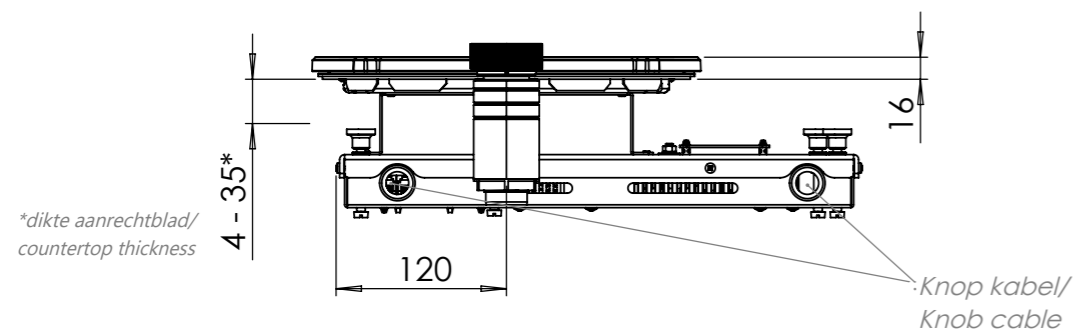




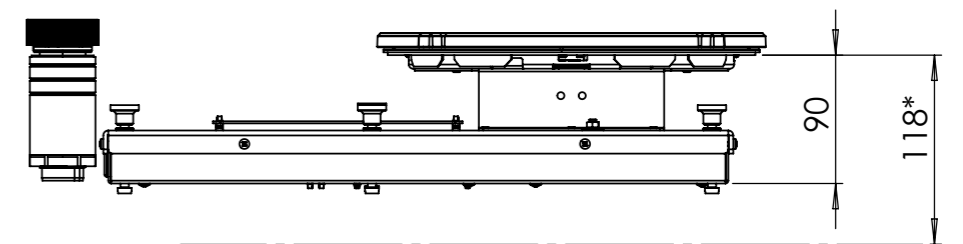
**Bovenaanzicht / Top view**



**Onderaanzicht / Bottom view**



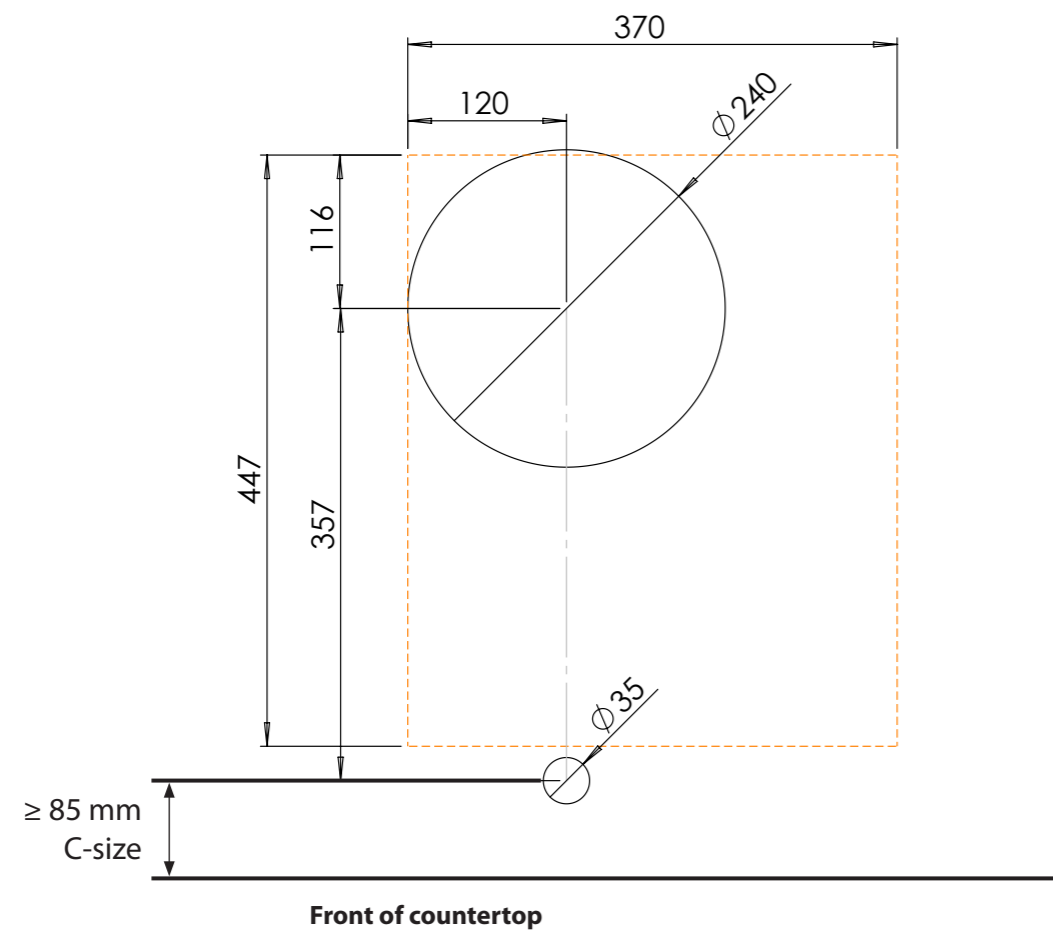
**Vooraanzicht / Front view**



**Zijaanzicht / Side view**

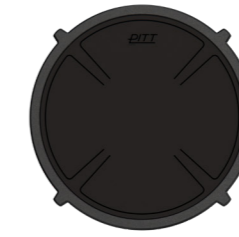
\*Inclusief ondersteuningsset/  
Including support bar

## Hole pattern

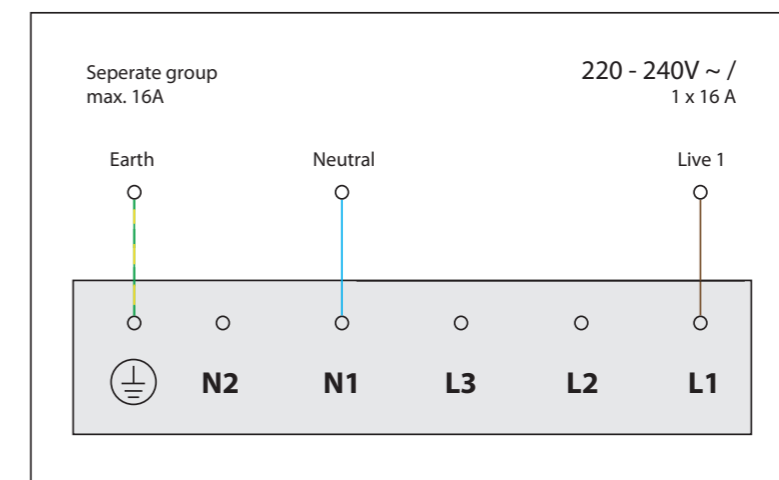


Hole pattern  
DXF file

## Technical information



Model	Air Top Side
Type zones	1x zone large
Editions	Black (fully black)
Automatic pan detection	✓
Power levels	0 - 10 + Boost
Nominal voltage	220-240 V, 1N~
Maximum power	3000 W
Netto weight	6 kg



Ø ≥ 2.5mm<sup>2</sup>





Installation and handling instructions



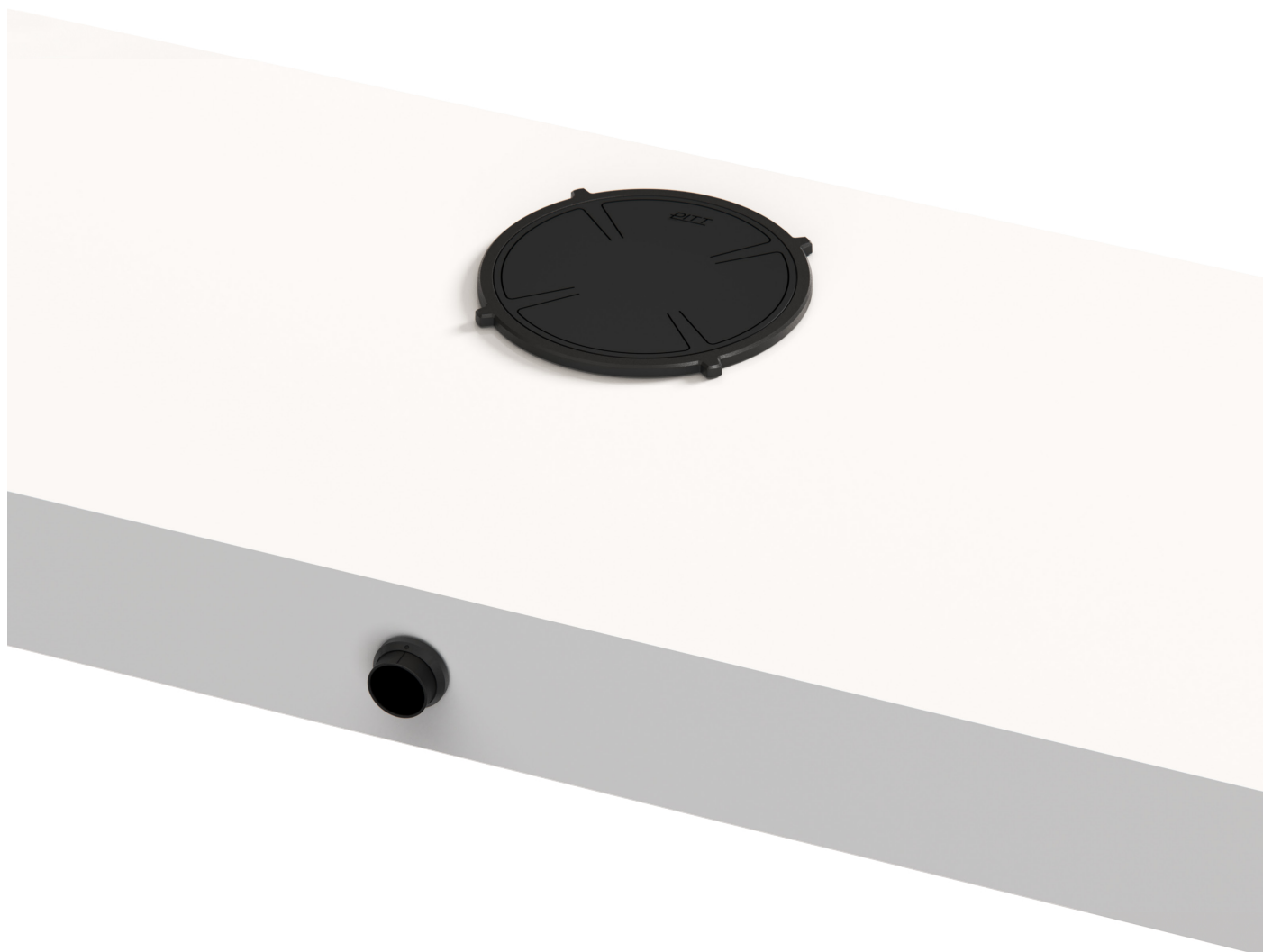
Installation manual induction



User manual induction

*Made in Holland*

**PITT**  
COOKING



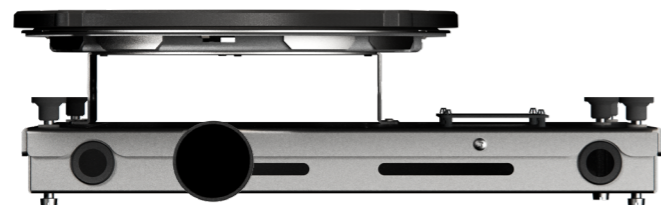
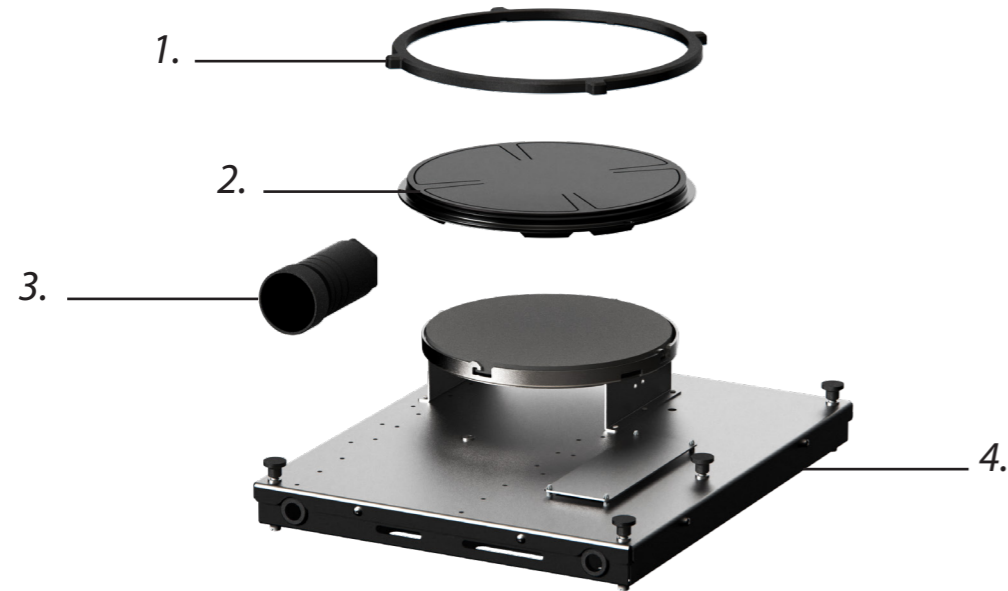
**Induction**

*Air-I*

*Front Side*

**Exploded view**

**Induction zones**



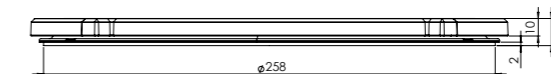
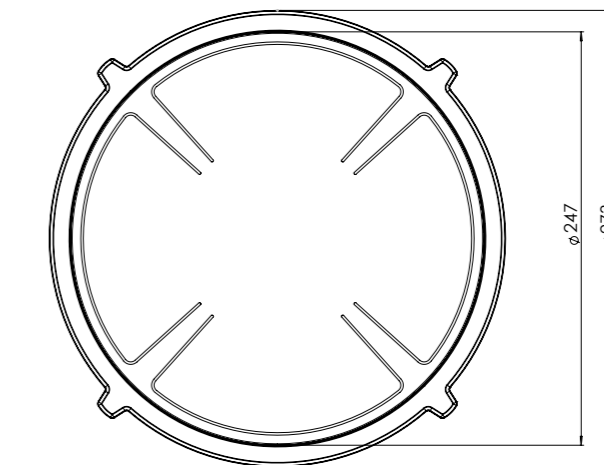
**1. Decorative ring large**  
PVD COATED ALUMINUM

**2. Induction zone large**  
PVD COATED ALUMINUM/ CERAMIC GLASS

**3. Control knob**  
ALUMINUM/GLASS

**4. Cassette**  
ALUMINUM

**Large zone**



**LARGE ZONE**

NOM. POWER  
**2300 Watt**

MIN. DIAM. PAN  
**110 mm**

MAX. POWER  
**3000 Watt**

MAX. DIAM. PAN  
**250 mm**

## Control knob

3D-visualization of Top Side knob

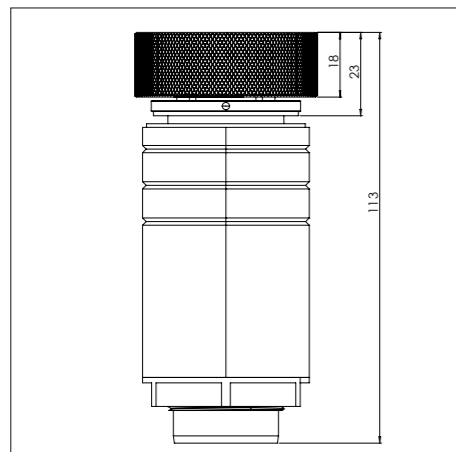


3D-visualization Front Side knob

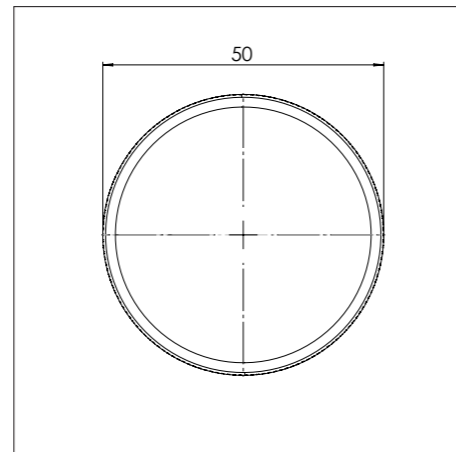


## Dimensions control knob

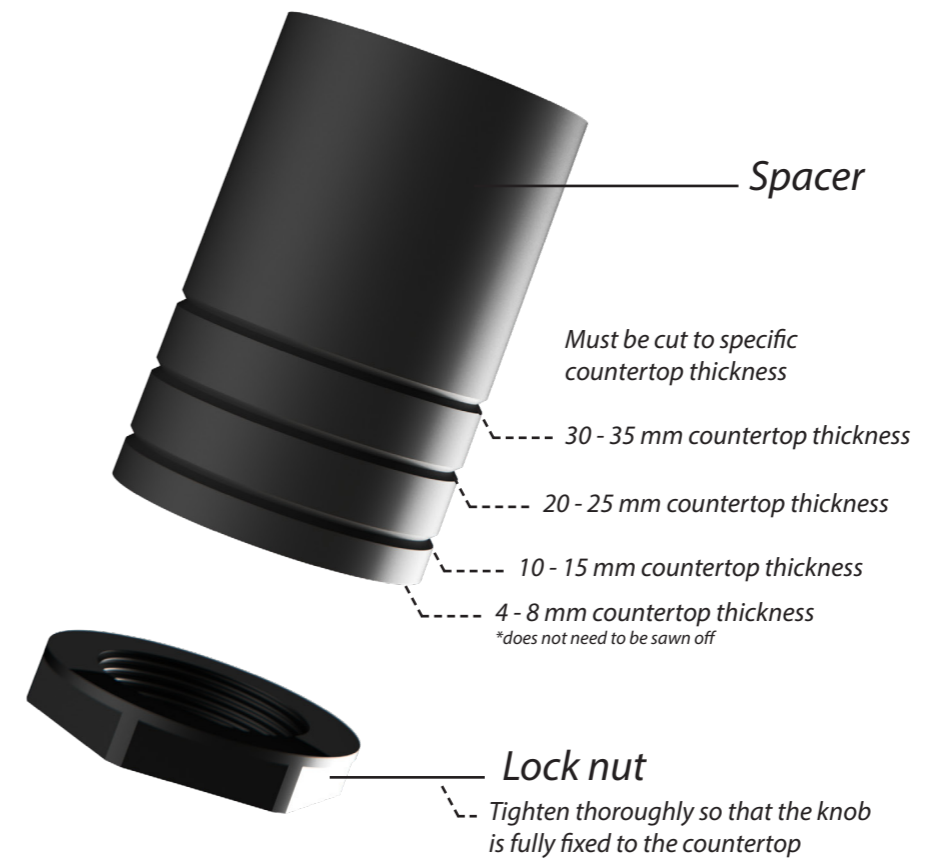
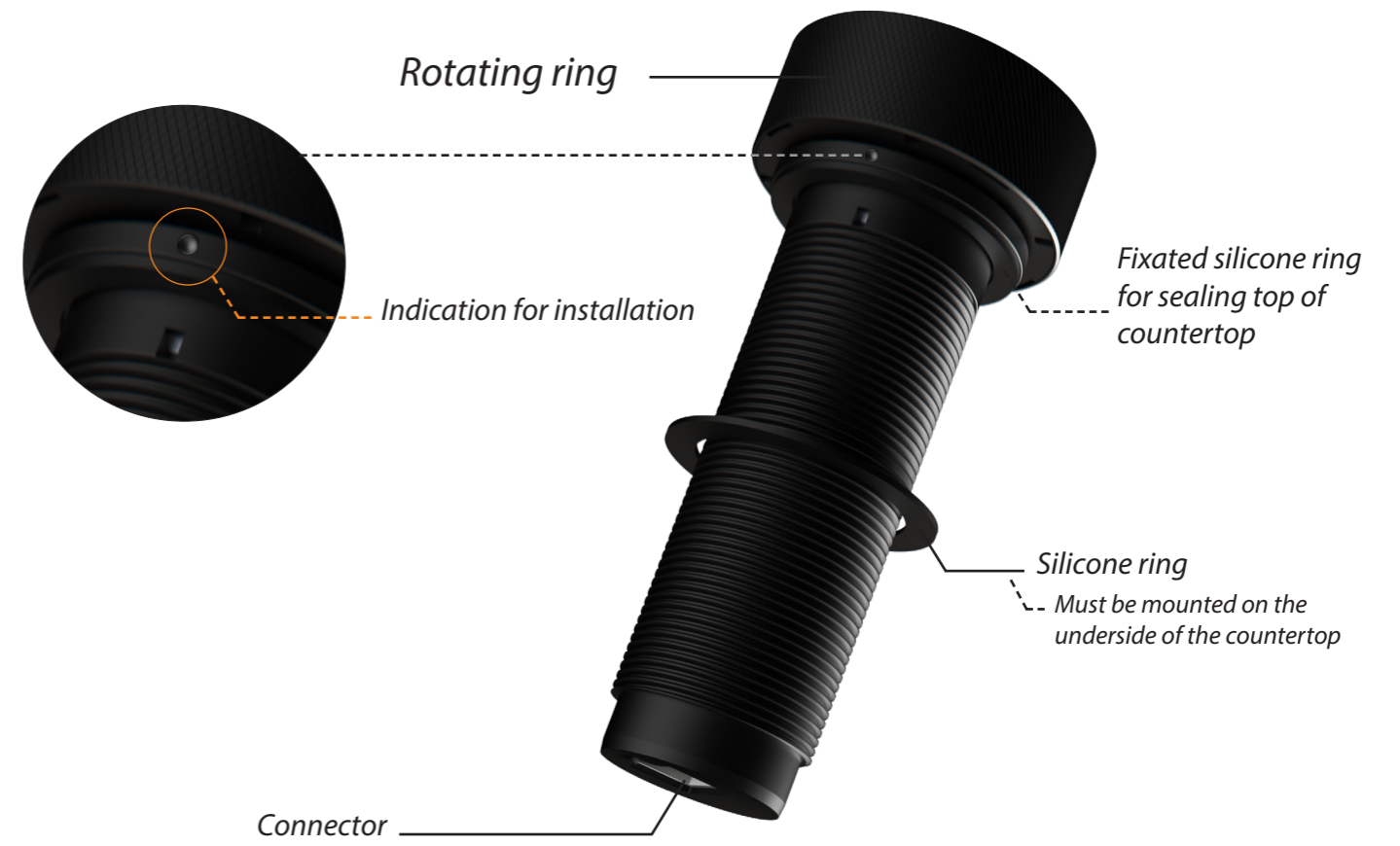
Front view



Top view

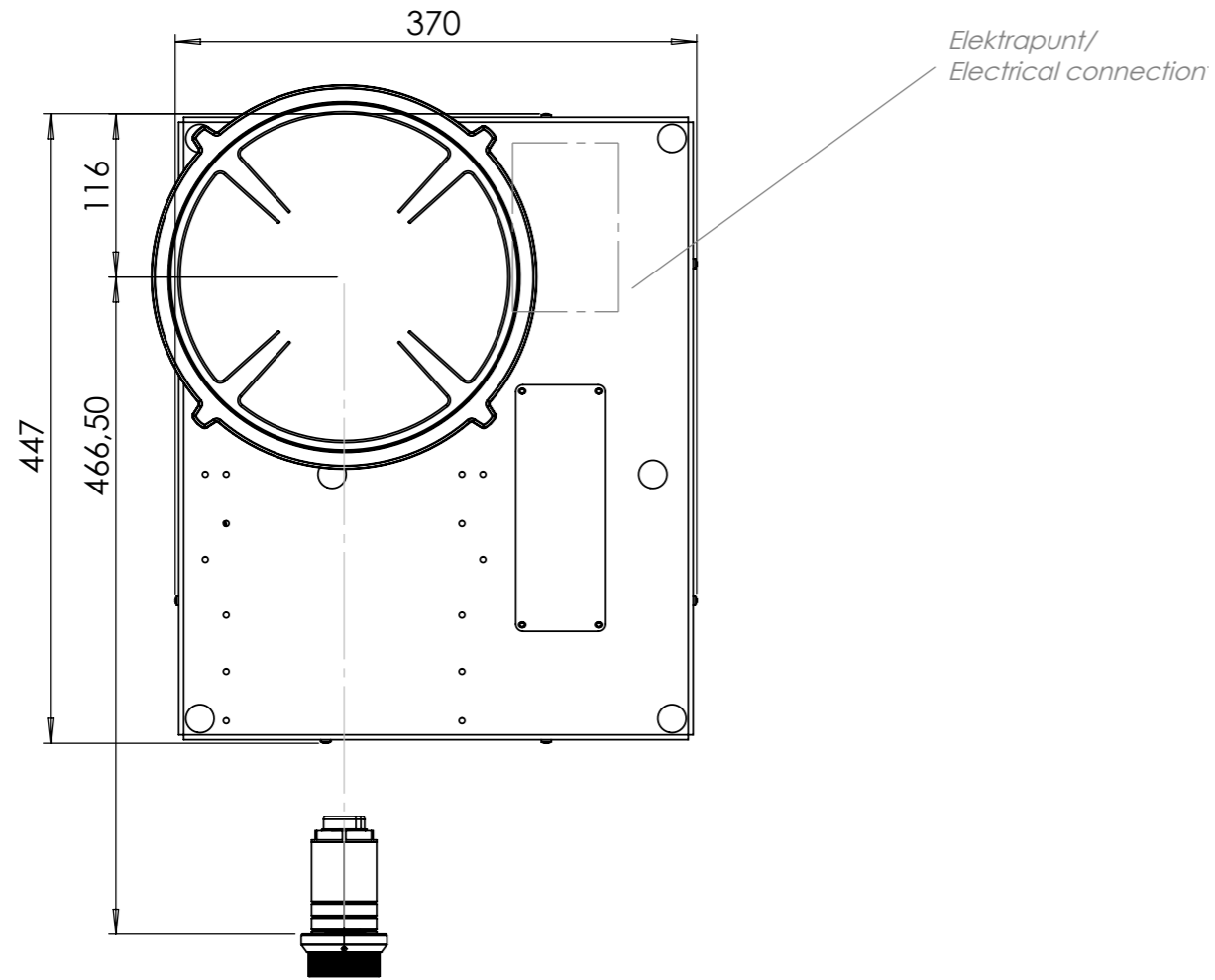


## Control knob

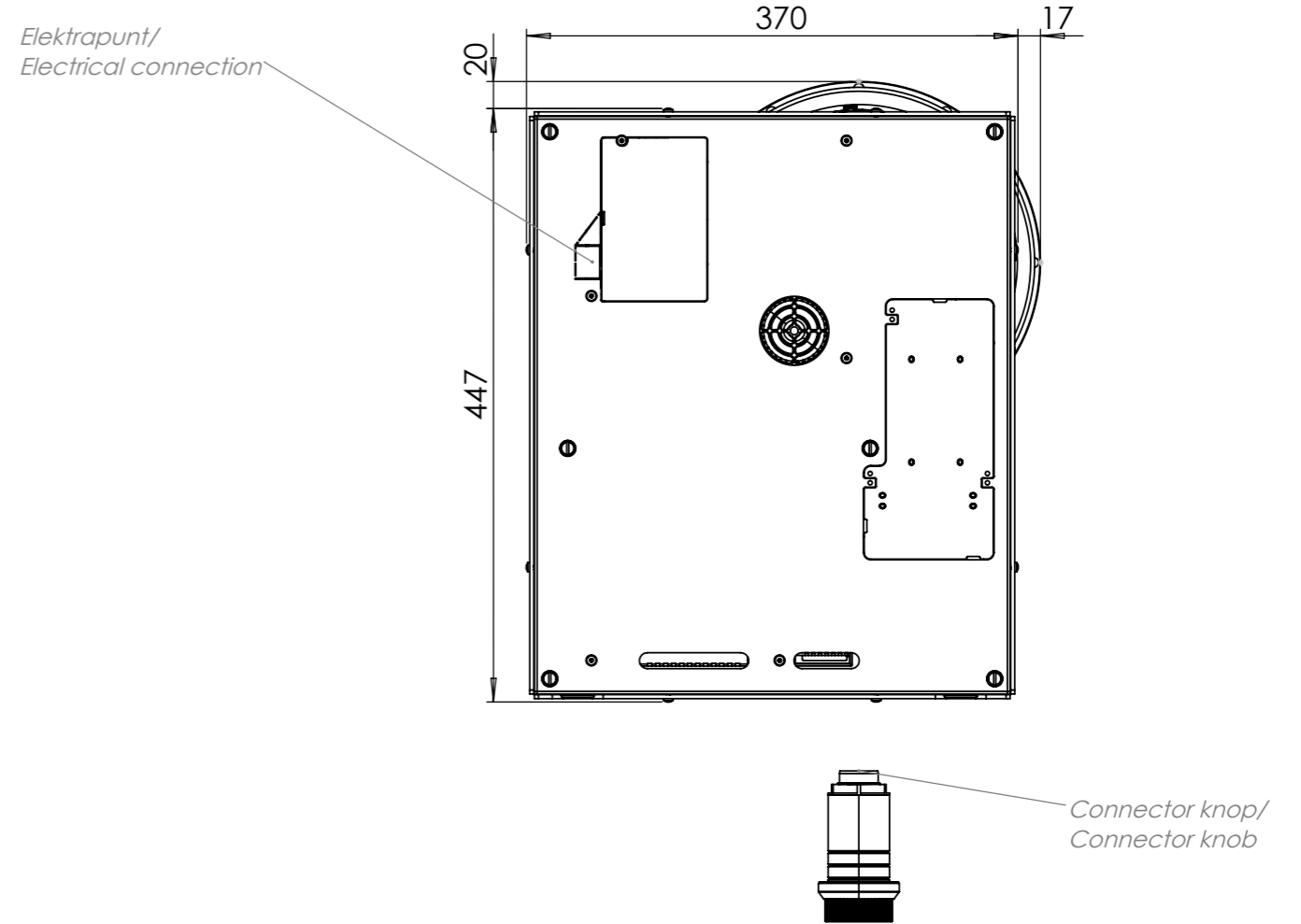


Technical drawing

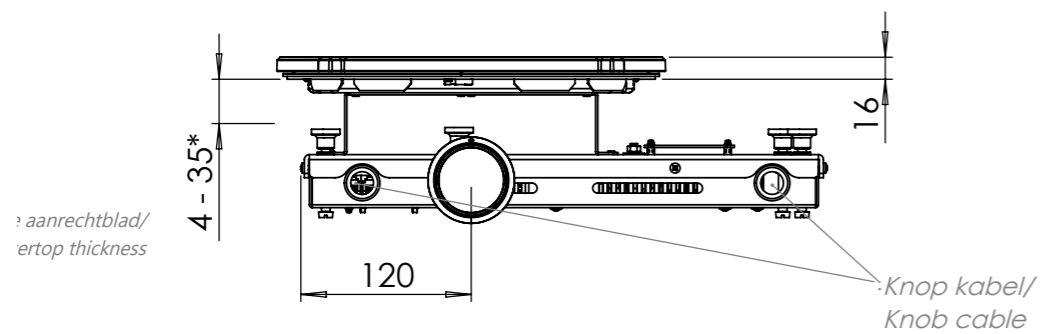
Technical drawing



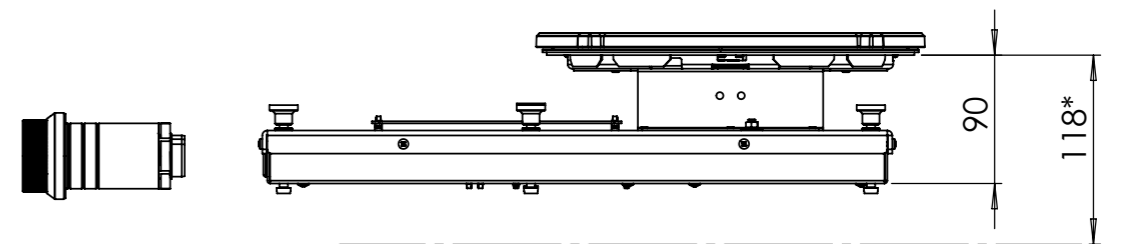
**Bovenaanzicht / Top view**



**Onderaanzicht / Bottom view**



**Vooraanzicht / Front view**

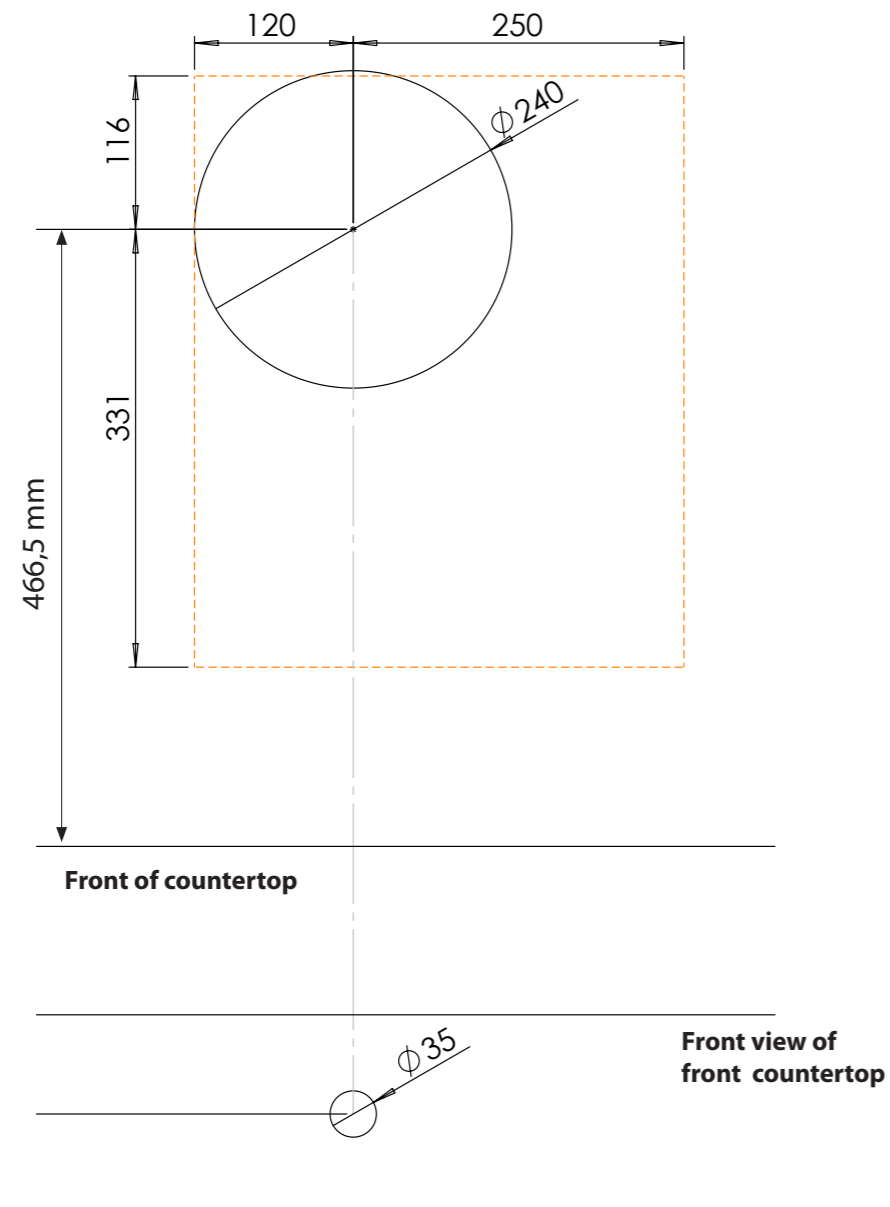


**Zijaanzicht / Side view**

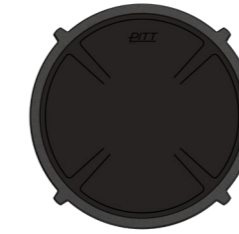
\*Inclusief ondersteuningsset/  
Including support bar

## Hole pattern

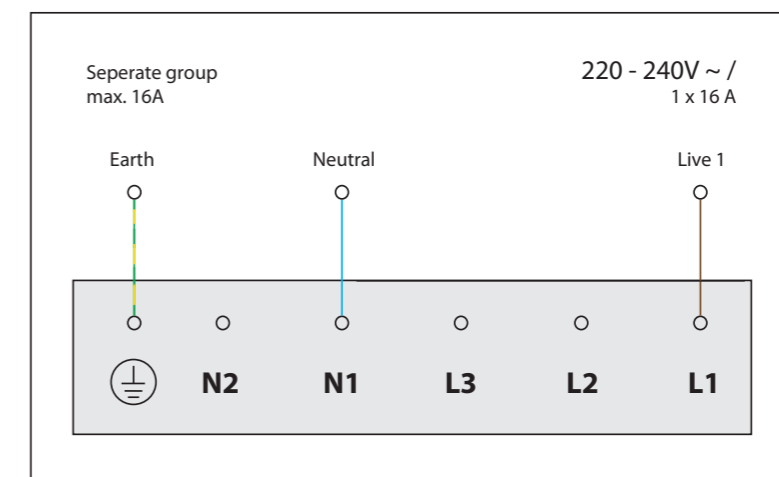
## Technical information



Hole pattern  
DXF file



Model	Air Front Side
Type zones	1x zone large
Editions	Black (fully black)
Automatic pan detection	✓
Power levels	0 - 10 + Boost
Nominal voltage	220-240 V, 1N~
Maximum power	3000 W
Netto weight	6 kg



$\Phi \geq 2.5\text{mm}^2$





Installation and handling instructions



Installation manual induction



User manual induction