

Made in Holland

PITT
COOKING



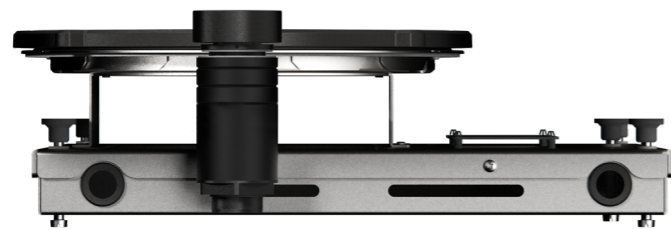
Induction

Azuma-I

Top Side

Exploded view

Induction zones



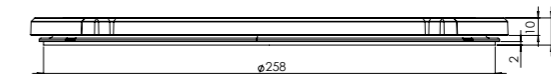
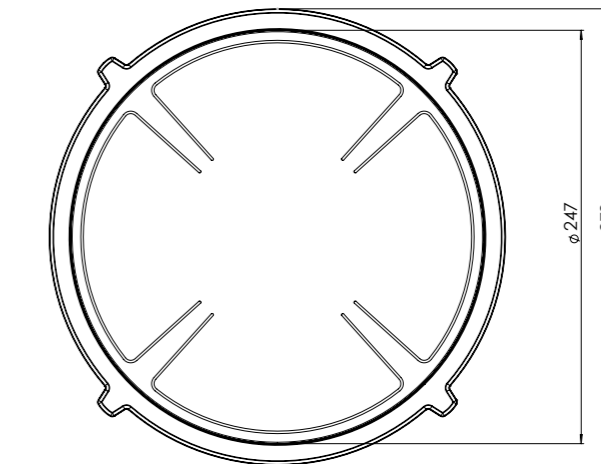
1. **Decorative ring small**
PVD COATED ALUMINUM

2. **Induction zone small**
PVD COATED ALUMINUM/ CERAMIC GLASS

3. **Control knob**
ALUMINUM/GLASS

4. **Cassette**
ALUMINUM

Large zone



LARGE ZONE

NOM. POWER
2300 Watt

MIN. DIAM. PAN
110 mm

MAX. POWER
3000 Watt

MAX. DIAM. PAN
250 mm

Control knob

Control knob

3D-visualization of Top Side knob

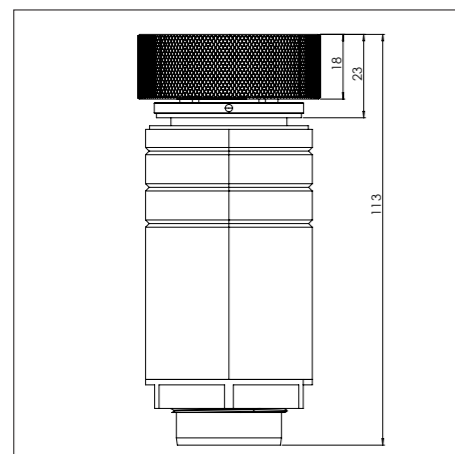


3D-visualization Front Side knob

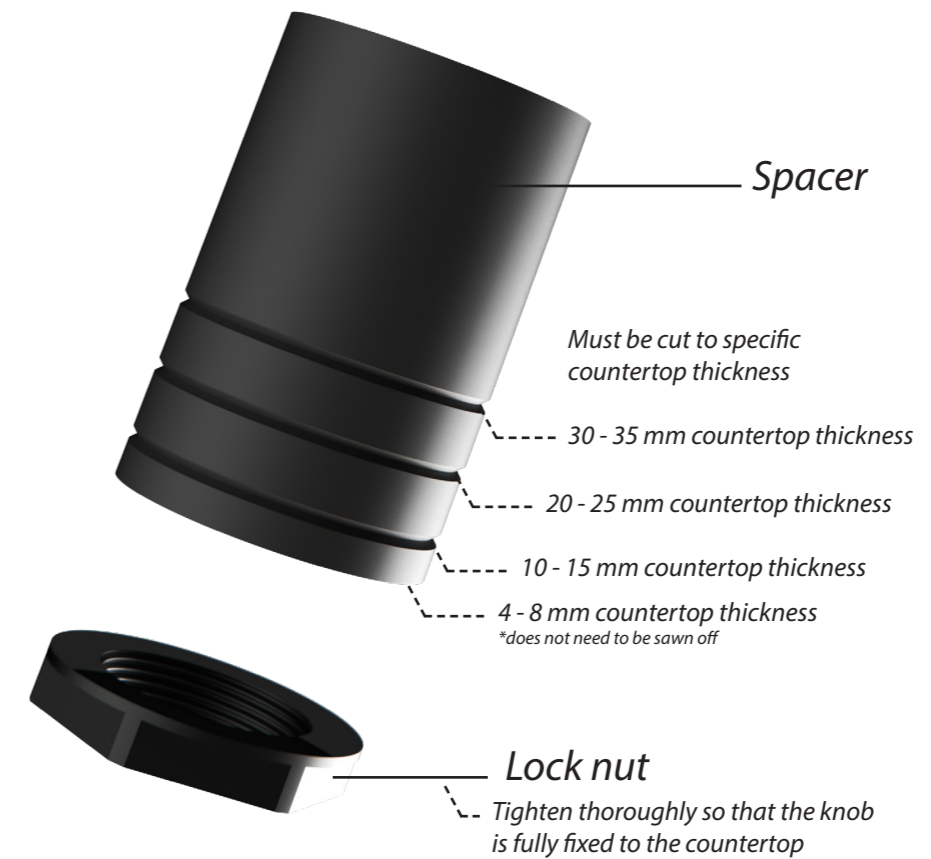
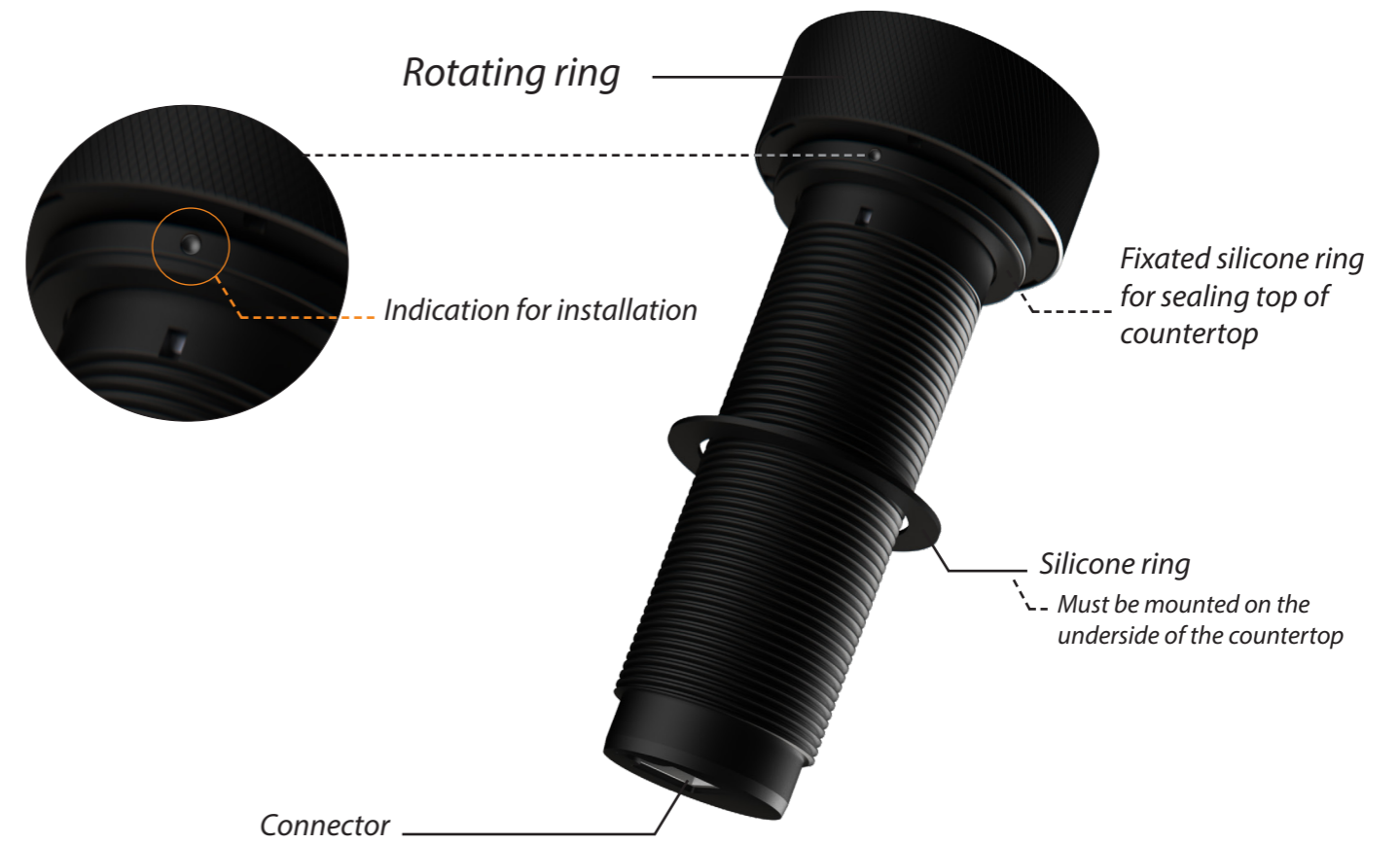
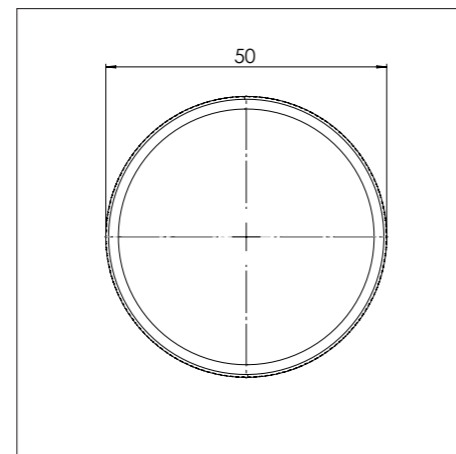


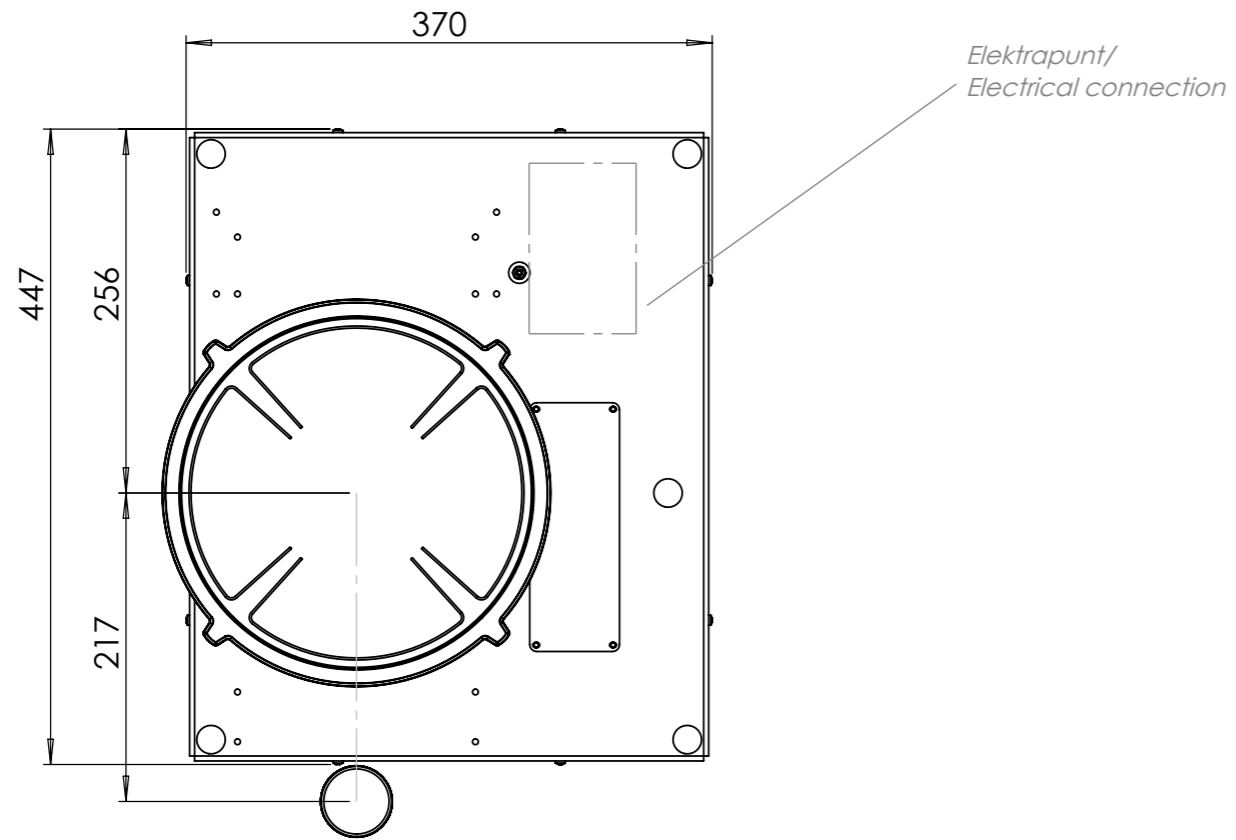
Dimensions control knob

Front view

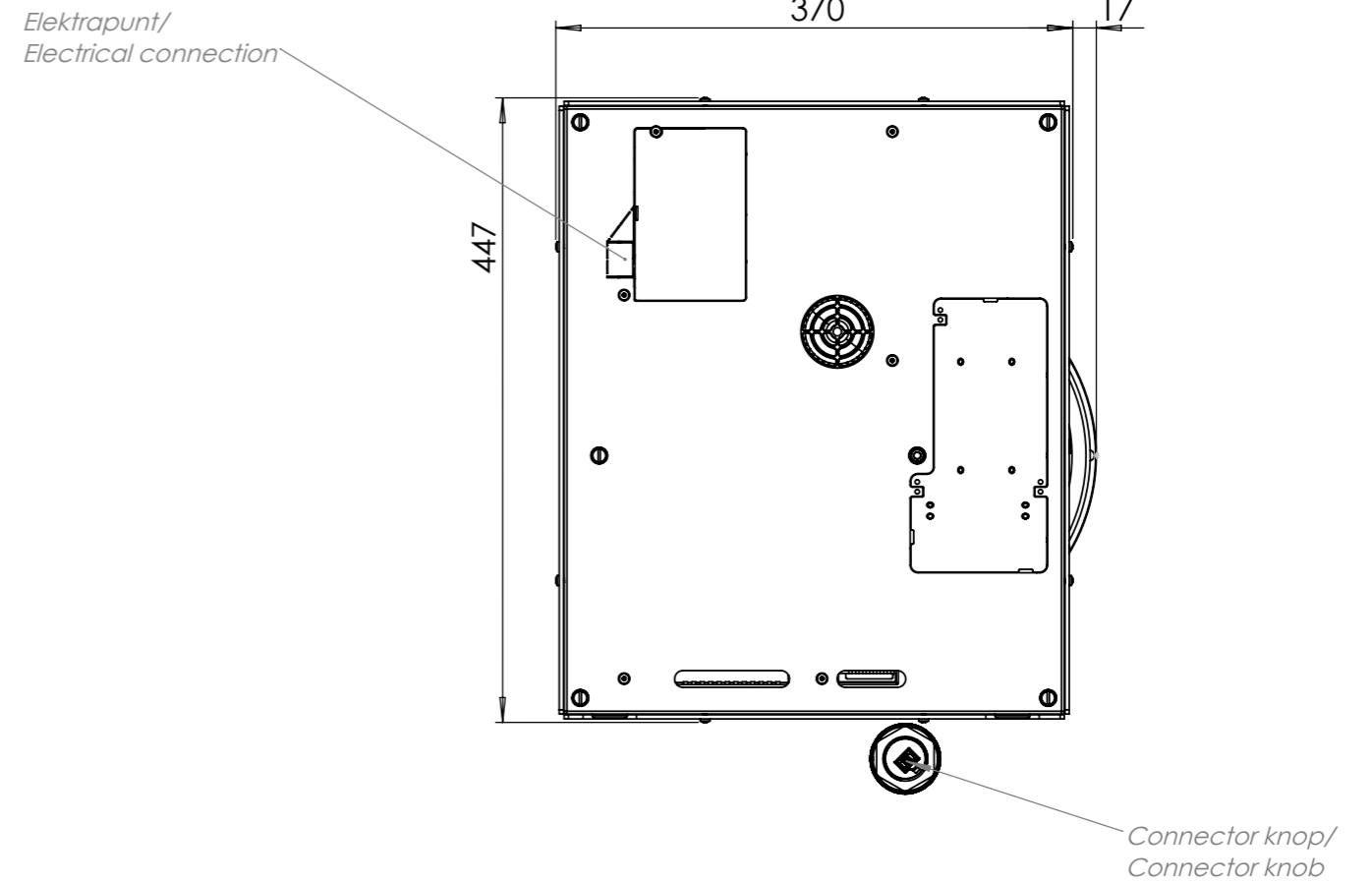


Top view

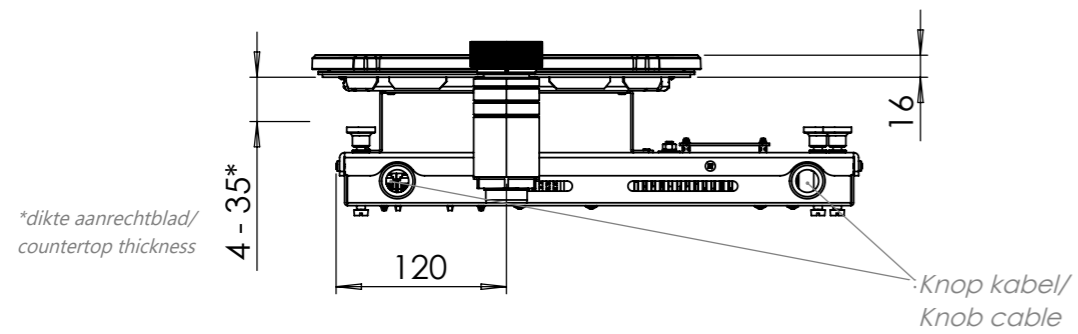




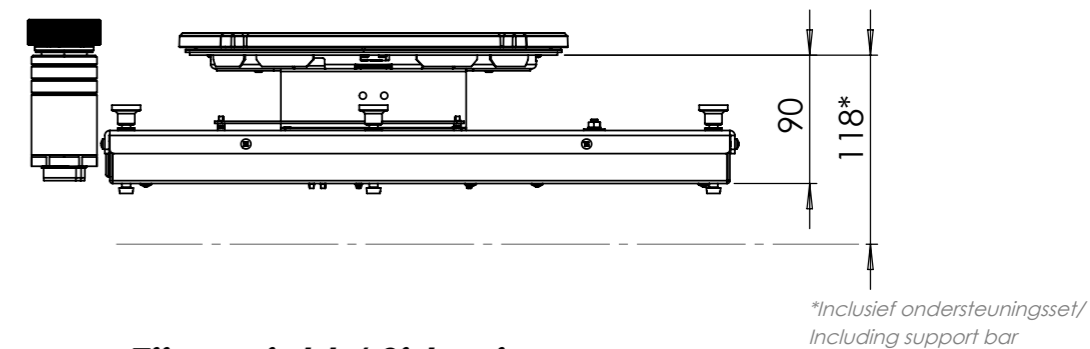
Bovenaanzicht / Top view



Onderaanzicht / Bottom view

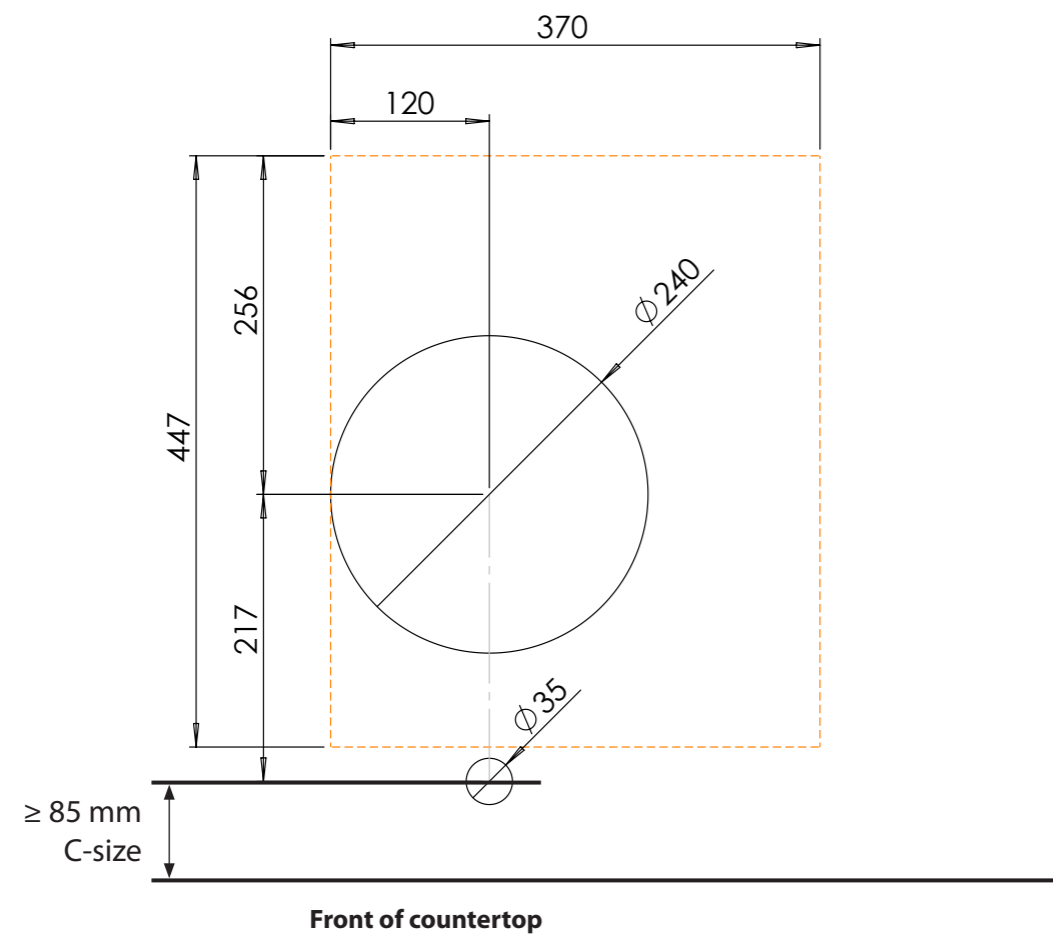


Vooraanzicht / Front view



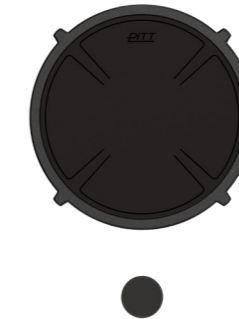
Zijaanzicht / Side view

Hole pattern

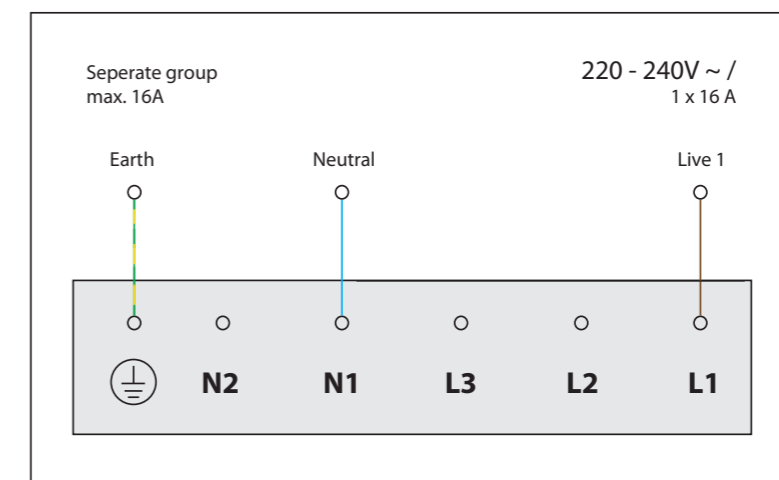


Hole pattern
DXF file

Technical information



Model	Azuma Top Side
Type zones	1x zone large
Editions	Black (fully black)
Automatic pan detection	✓
Power levels	0 - 10 + Boost
Nominal voltage	220-240 V, 1N~
Maximum power	3000 W
Netto weight	6 kg





Installation and handling instructions



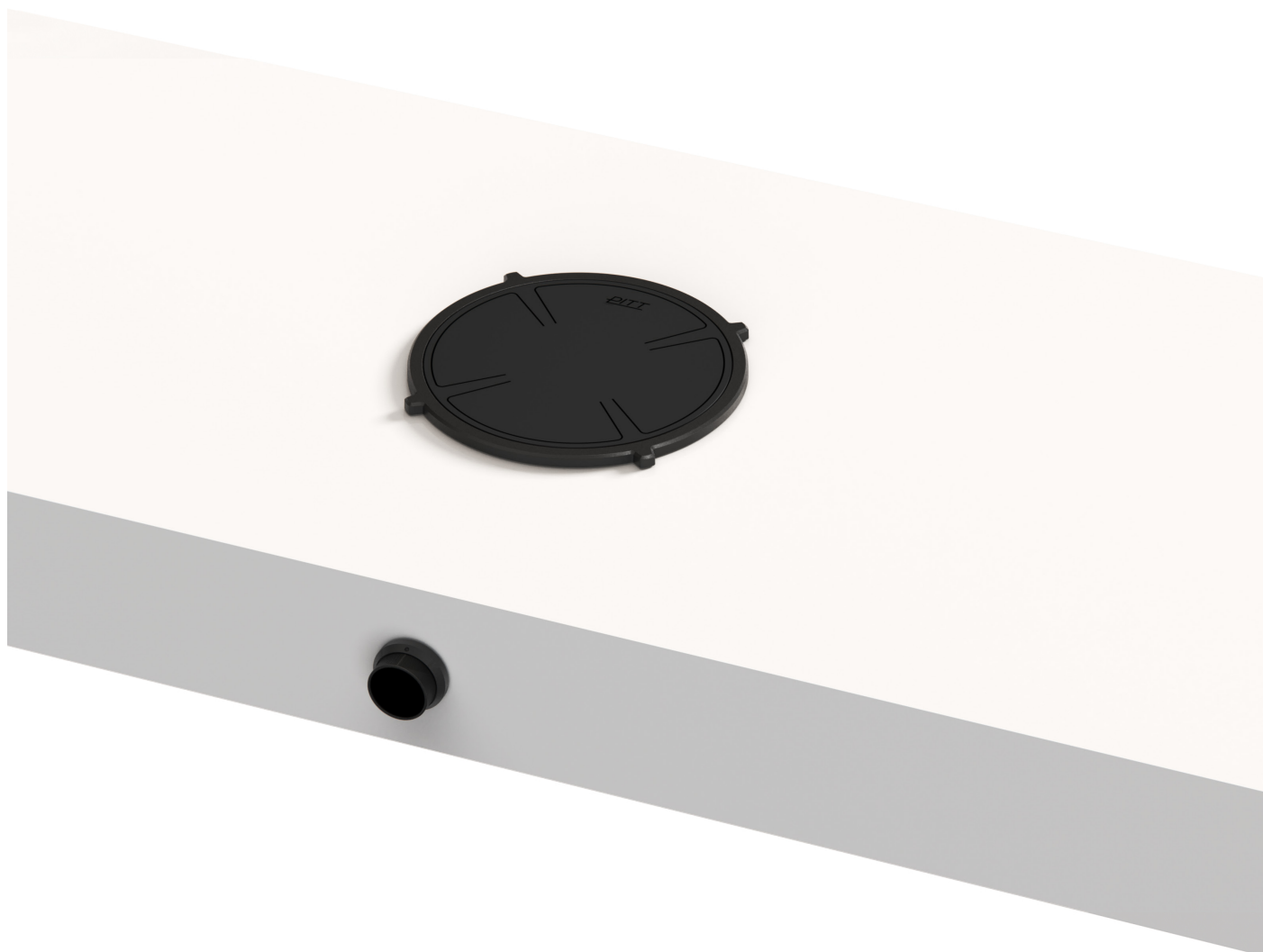
Installation manual induction



User manual induction

Made in Holland

PITT
COOKING

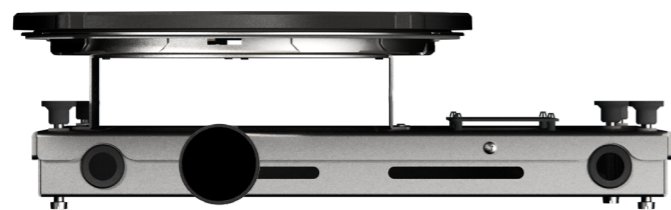


Induction

Azuma-I
Front Side

Exploded view

Induction zones



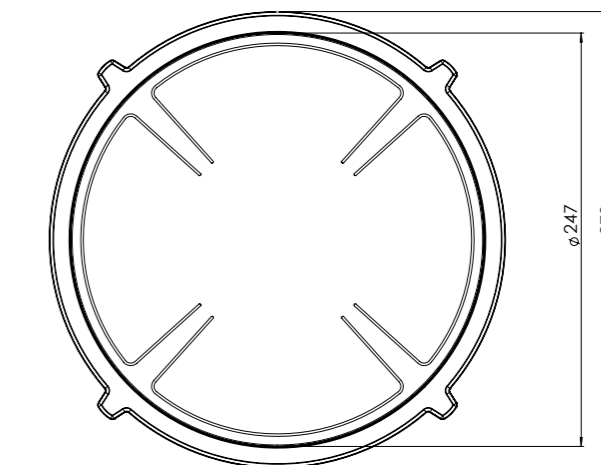
1. **Decorative ring large**
PVD COATED ALUMINUM

3. **Control knob**
ALUMINUM/GLASS

2. **Induction zone large**
PVD COATED ALUMINUM/ CERAMIC GLASS

4. **Cassette**
ALUMINUM

Large zone



LARGE ZONE

NOM. POWER
2300 Watt

MAX. POWER
3000 Watt

MIN. DIAM. PAN
110 mm

MAX. DIAM. PAN
250 mm

Control knob

Control knob

3D-visualization of Top Side knob

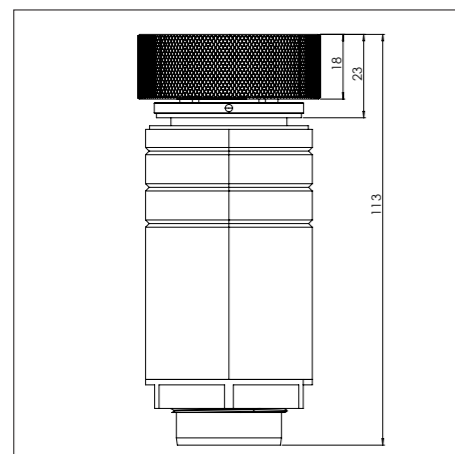


3D-visualization Front Side knob

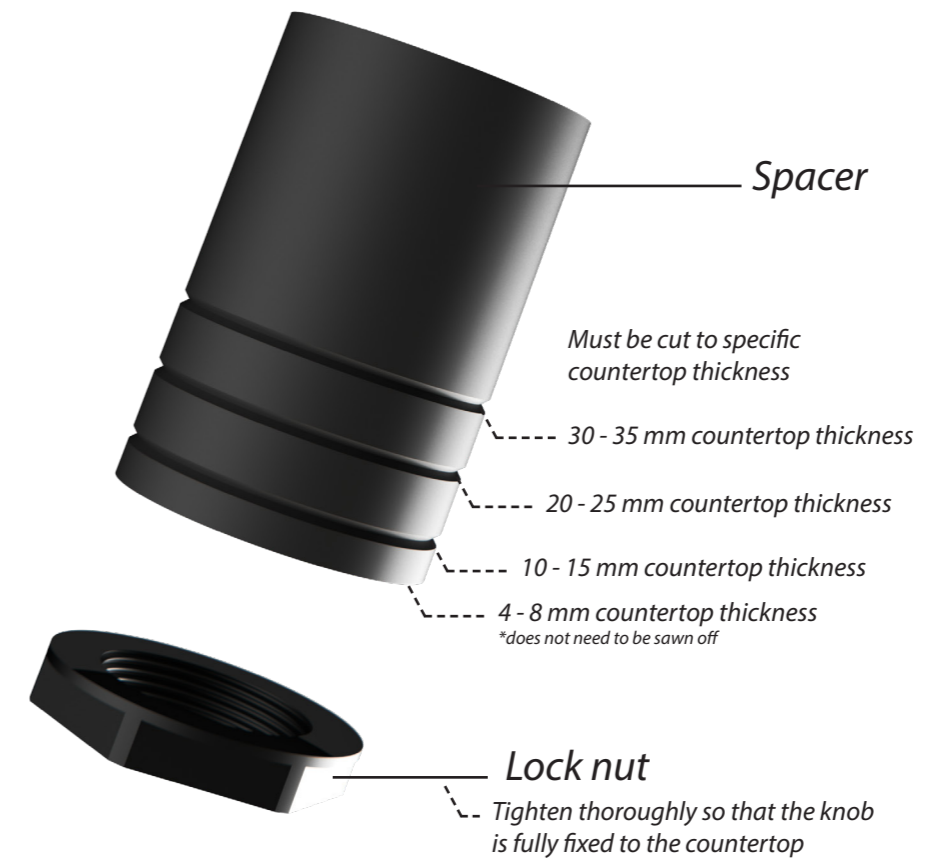
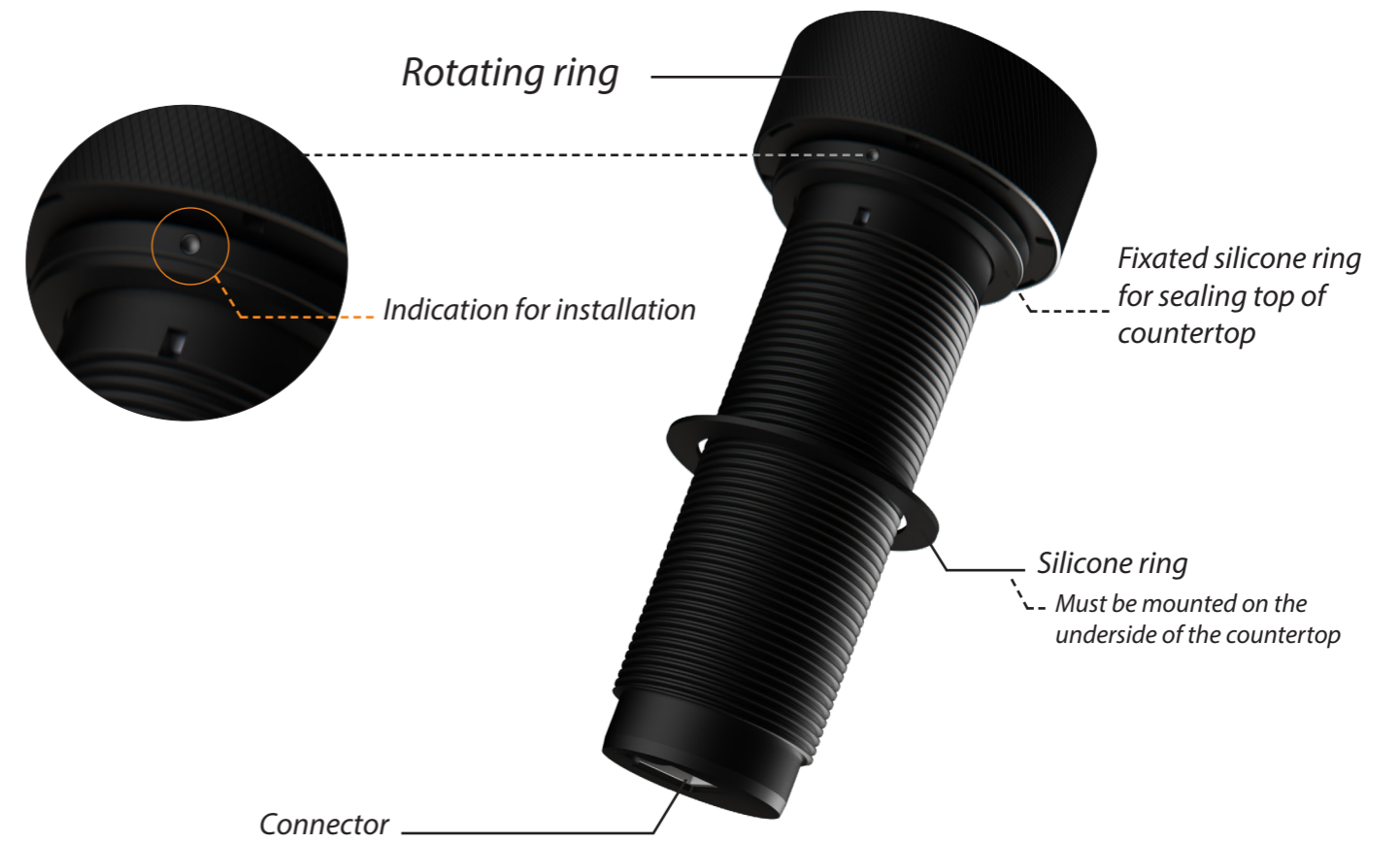
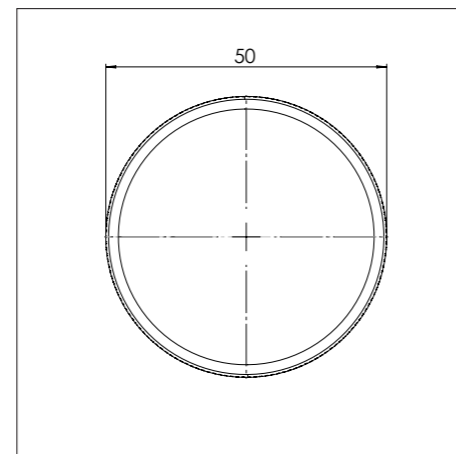


Dimensions control knob

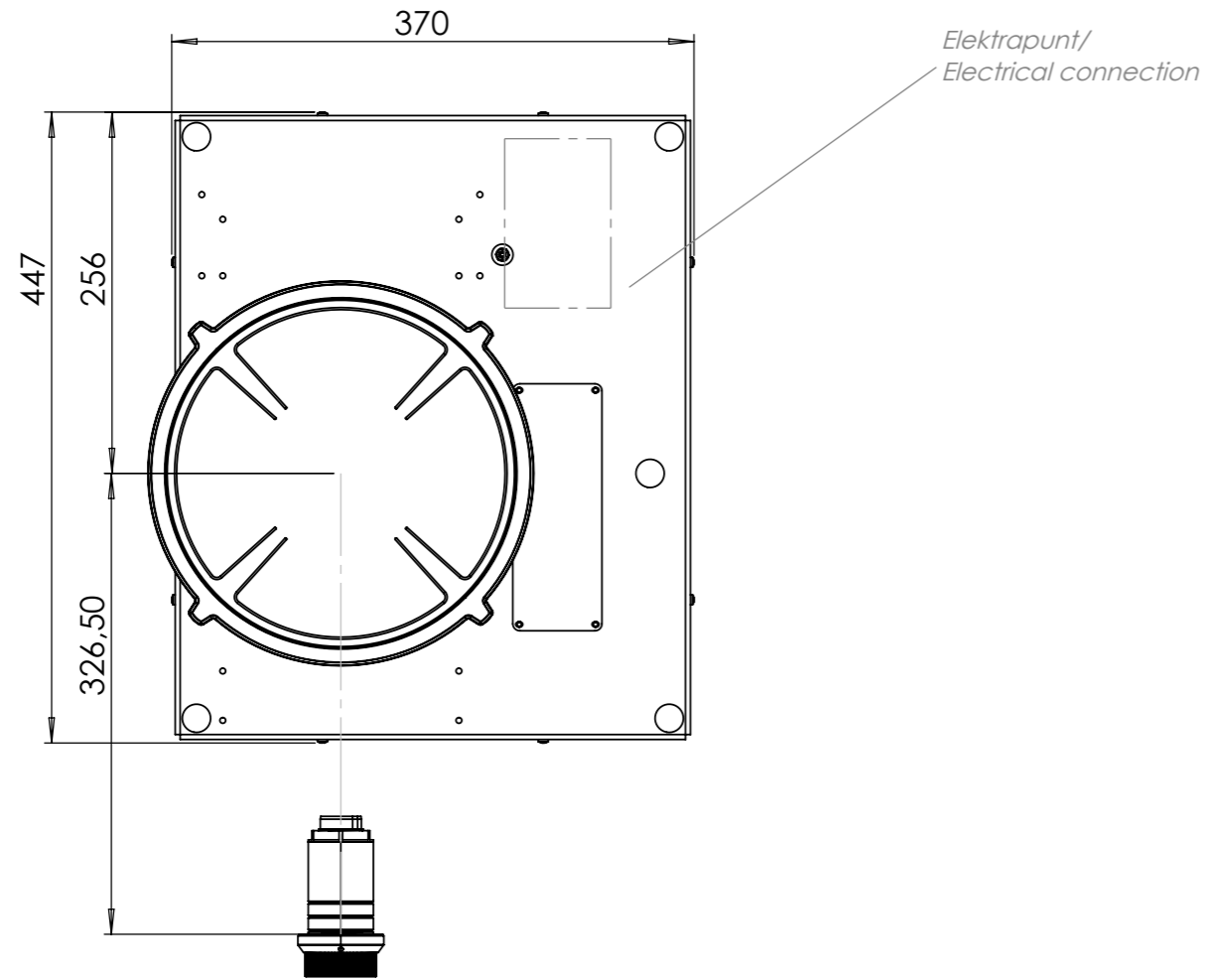
Front view



Top view

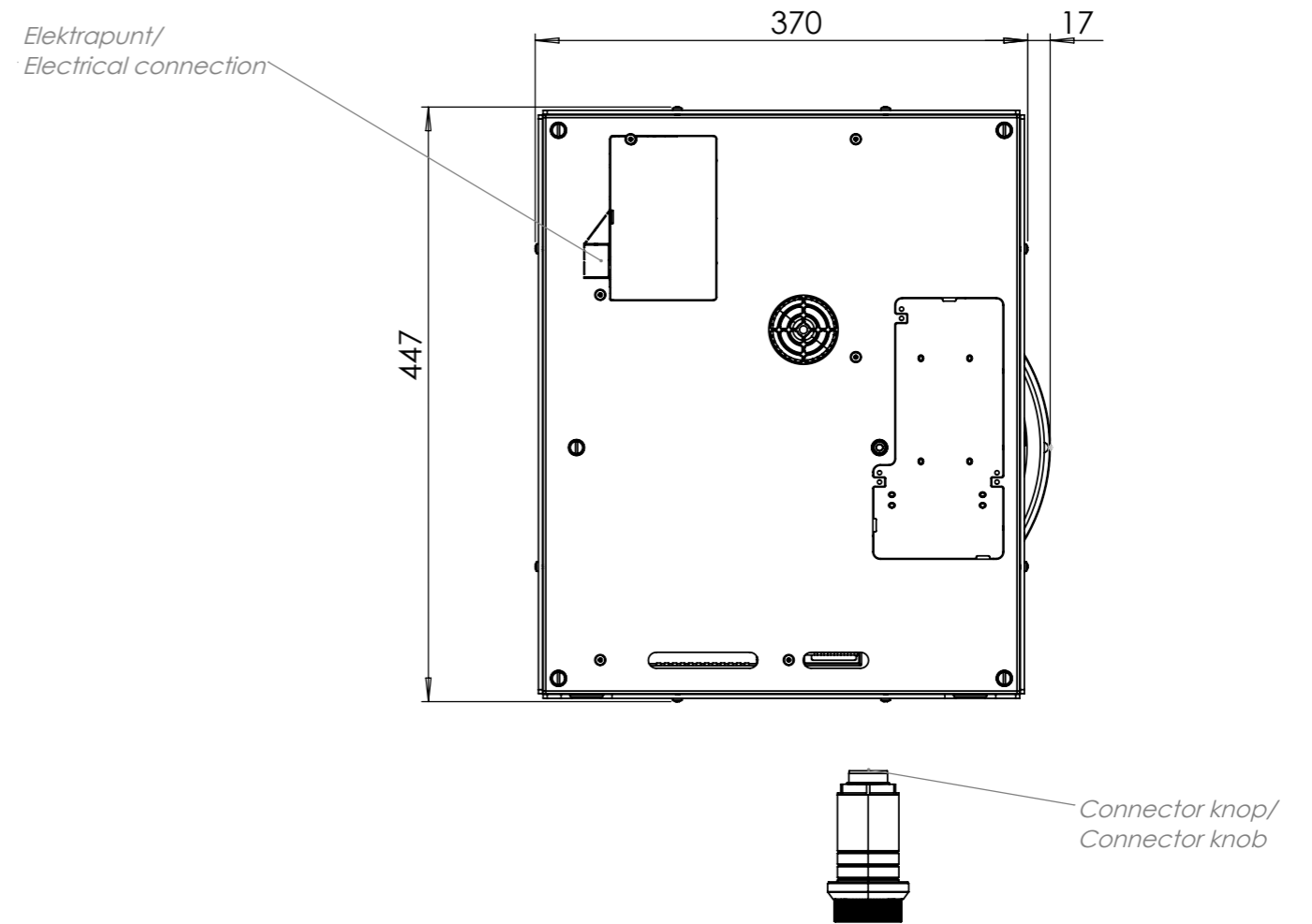


Technical drawing

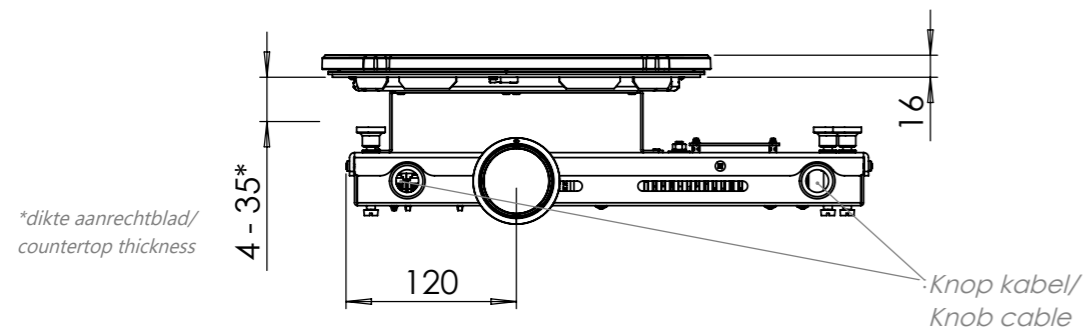


Bovenaanzicht / Top view

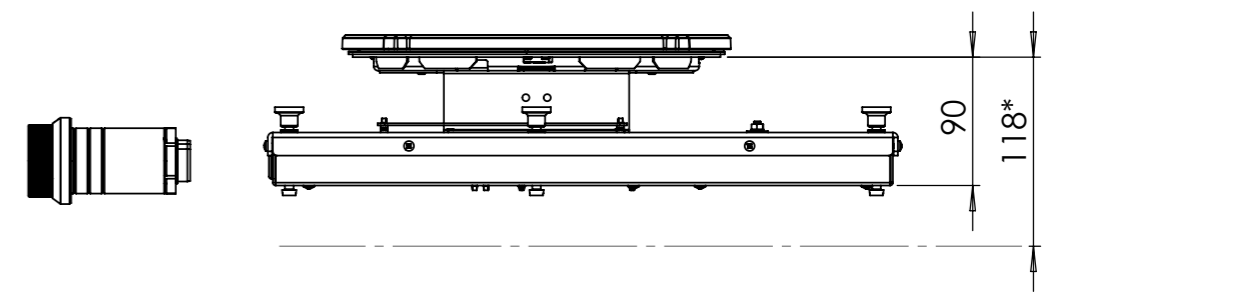
Technical drawing



Onderaanzicht / Bottom view



Vooraanzicht / Front view

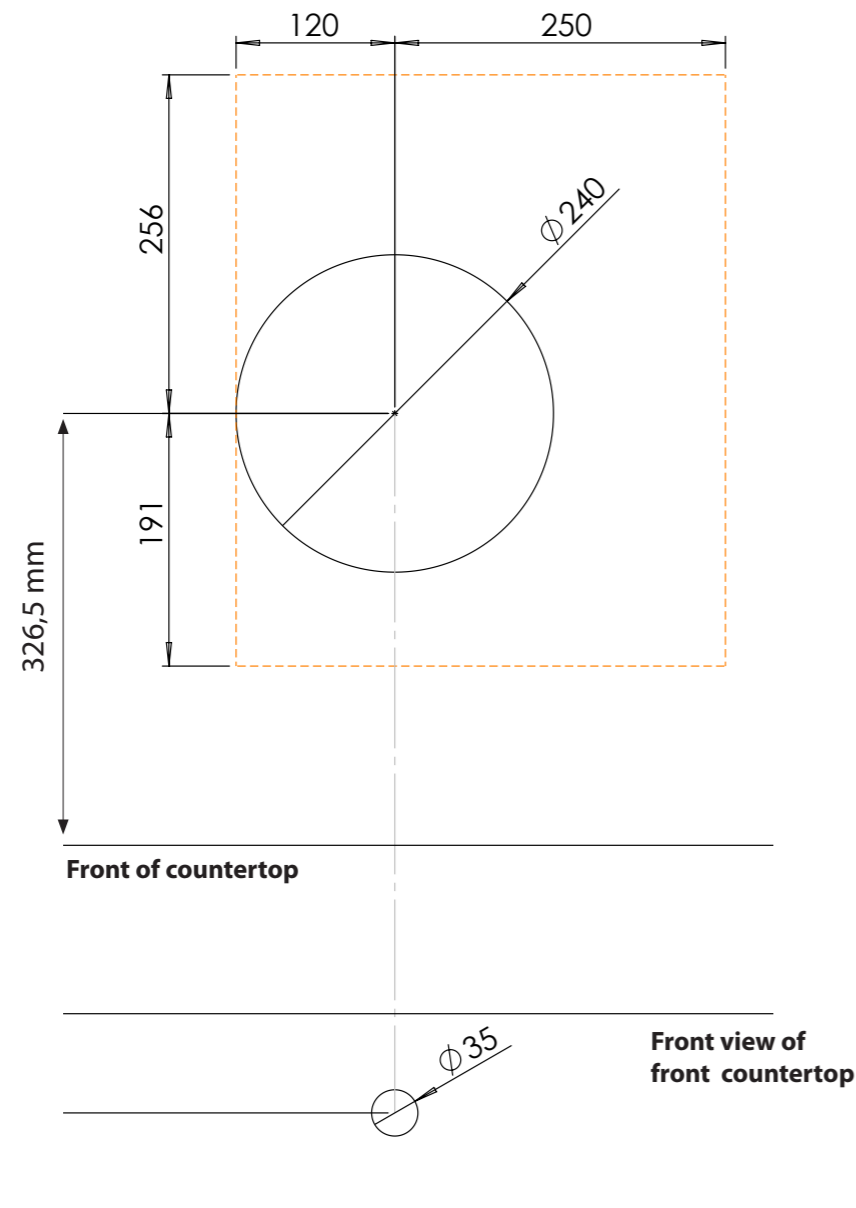


Zijaanzicht / Side view

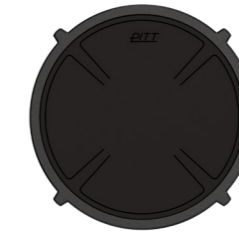
*Inclusief ondersteuningsset/
Including support bar

Hole pattern

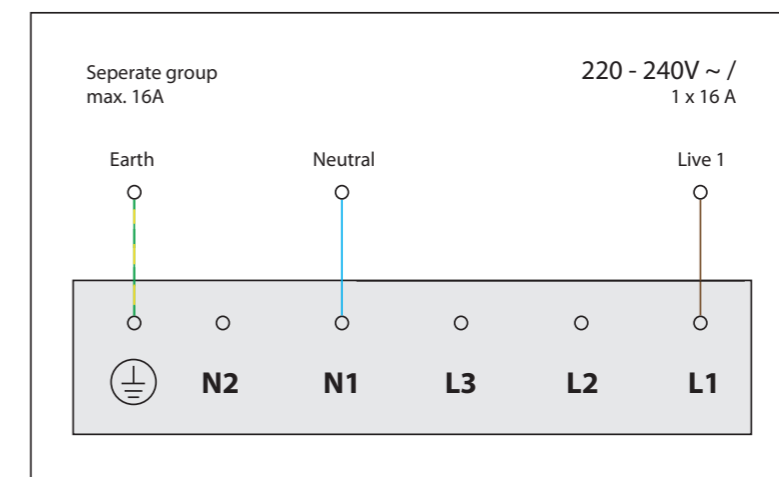
Technical information



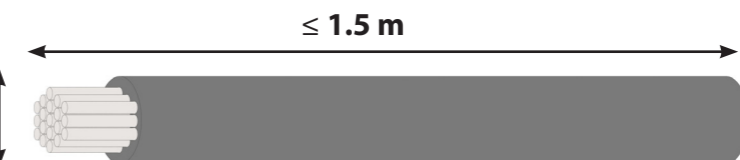
Hole pattern
DXF file



Model	Azuma Front Side
Type zones	1x zone large
Editions	Black (fully black)
Automatic pan detection	✓
Power levels	0 - 10 + Boost
Nominal voltage	220-240 V, 1N~
Maximum power	3000 W
Netto weight	6 kg



Ø ≥ 2.5mm²





Installation and handling instructions



Installation manual induction



User manual induction